

Certificates and Engineering Cases

Certificates

Engineering Cases



TUV-CE-ESCALATOR



TUV-CE- MOVING WALK



TKJ1600-2.0 ENERGY EFFICIENCY



TAK-8 ENERGY EFFICIENCY



TUV-CE-MR - PASSENGER ELEVATOR



TUV-CE-MRL - PASSENGER ELEVATOR



Grand Kamala Lagoon ,Jakarta,Indonesia



Subway project, Seoul, South Korea



Hotel, Novosibirsk,Russia



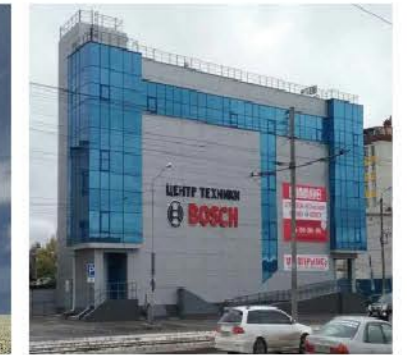
Parque de Ocio,Bogota, Colombia



Laleh Building, Mashhad Iran



ARG Shopping Mall, Mashhad, Iran



Ulan-Ude Bosch Sales Center



Hotel Yasmin Karawaci, Indonesia



Police Station, South Africa



Russia-Moscow-Marriott



Aftab Shopping Mall, Mashhad, Iran



Saint Petersburg Shopping Mall



Not Asking



Moscow shopping mall



Moscow shopping Mall



Moscow shopping Mall



Tobolsk Office Building

Passenger Elevator With Machine Room

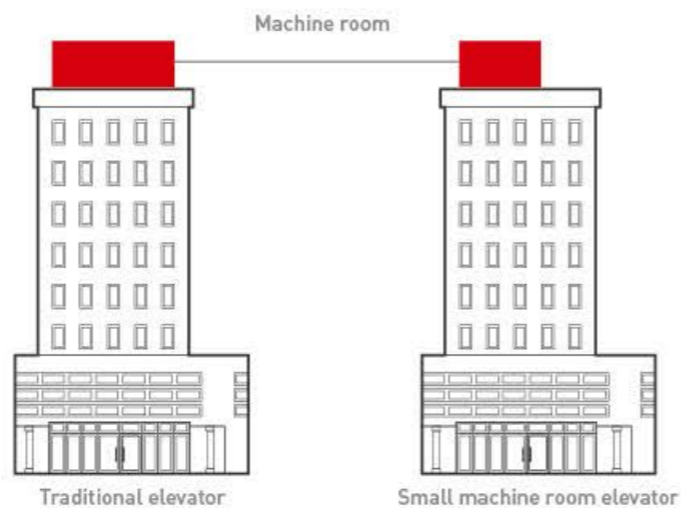
Saving room volume

50%

Space efficiency

The machine room of the elevator only need 50% space of the traditional machine room. Therefore, it provides more possibilities for construction design.

Tenau passenger elevators with small machine room have improved its performance by reducing area of their machine rooms. With advantages in saving floor areas and construction costs, the elevators are applicable to office buildings, hotels and supermarkets.

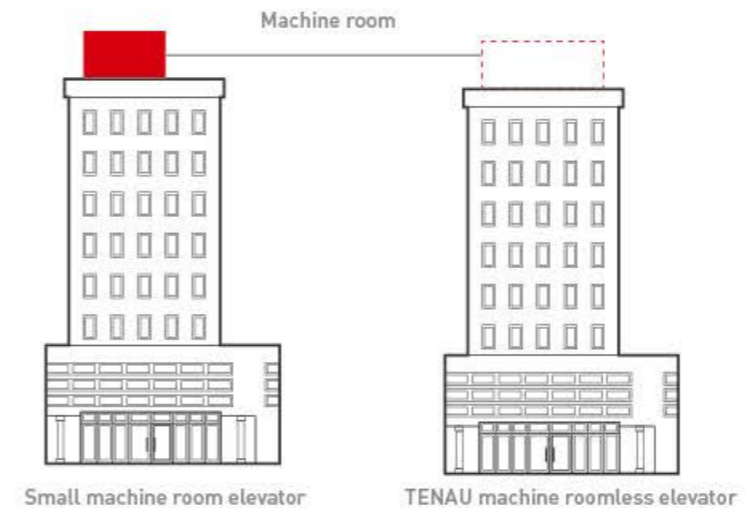


Passenger Elevator Machine Roomless

Tenau machine roomless passenger elevators eliminate influence of the machine room on construction from the structural aspect, providing more possibilities for construction space arrangement or construction design. Such elevators are applicable to hotels, business buildings high-rises and other buildings with higher requirements for construction.

Free up the space

The control cabinet and traction machine are installed in inner part of the hoist way, freeing up the original space spared for the machine room. Compared with traditional design, the new mode could save more than 10% of the floor area.



Cabin Decoration

Passenger Elevator



TO-J001

Standard

Integrated Ceiling: Painted steel, four sides down lamp
 Car wall and car door: Stainless steel
 Operation panel: Hairline stainless steel
 Floor: PVC floor



TO-J002

Standard

Integrated Ceiling: Silver membrane, with LED lamp in the middle, vents on both sides
 Car wall and car door/Front wall panel: Light grey painted steel plate
 Operation panel: Hairline stainless steel (Separated type)
 Skirting: Stainless steel or painted steel plate
 Floor: PVC floor



TO-J005

Optional

Car wall: Mirror stainless steel, titanium stainless steel
 Car door: Mirror stainless steel
 Gatepost: Titanium hairline stainless steel round tube
 Skirtboard: Painted steel
 Floor: PVC



TO-J006

Optional

Car wall and car door: Mirror stainless steel
 Hairline stainless steel
 Gatepost: Hairline stainless steel
 Skirtboard: Stainless steel or painted steel
 Floor: PVC



TO-J003

Optional

Car wall and car door: Mirror stainless steel in the Middle, craft wooden facing on the other sides
 Gatepost: Mirror stainless steel
 Skirtboard: Stainless steel
 Floor: PVC



TO-J004

Optional

Integrated Ceiling: Painted steel, down lamp
 Car wall: Mirror stainless steel in the middle, hairline stainless steel for both sides
 Floor: PVC floor



TO-J007

Optional

Car wall: Middle with mirror etching stainless steel, side of stainless steel floor with tube lamp of soft illumination design
 Car side and car back: Center board is made of mirror finish, etching finish, hairline finish Auxiliary board is made of hairline finish
 Handrail: Stainless steel round tube
 Floor: PVC



TO-J008

Optional

Car wall: Painted steel, tube lamp an white transparent board for illumination design Car side and car back: Center board is made of mirror finish, etching finish, hairline finish
 Auxiliary board is made of hairline finish
 Handrail: Stainless steel flat handrail
 Floor: PVC

Cabin Decoration

Passenger Elevator



TO-J009

Optional

Ceiling: Painted steel, downlight
 Car wall: Panel with combination of wood grain and hairline
 Front wall: Hairline stainless steel
 Floor: PVC
 Skirting: Hairline stainless steel



Selection of back panel material



GL-01



GL-02



GL-03

TO-J010

Optional

Ceiling: Mirror stainless steel, Lamp bracket, LED downlight
 Car wall: Brushed stainless steel
 Front wall: Art glass, brushed stainless steel
 Floor: PVC parquet



Selection of back panel material



3699-Rattan



6928-Ch



2567-Copper



1395-Ta

TO-J011

Optional

Ceiling: Metal baking paint decoration, LED downlight
 Car wall: Brushed stainless steel
 Front wall: fire-proof facing with wood grain, Brushed stainless steel
 Floor: PVC



Selection of back panel material



3457-Br



3467 BSt

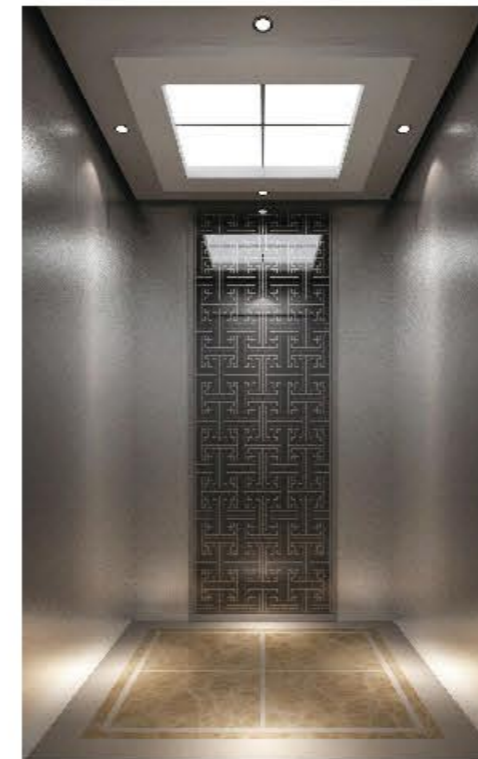


3465 Gl

TO-J012

Optional

Ceiling : Metal baking paint decoration, LED downlight
 Car wall: Brushed stainless steel
 Front wall: Fire-proof facing with marble texture, Brushed stainless steel
 Floor: PVC



Selection of back panel material



SK-01



SK-02



SK-03

TO-J013

Optional

Ceiling: Metal baking paint decoration, Lamp bracket, LED downlight
 Car wall: Brushed stainless steel
 Front wall: Brushed stainless steel, black titanium mirror surface with stainless etching, brushed stainless steel side decoration strips and foot lines
 Floor: PVC

Cabin Decoration

Passenger Elevator



TO-J014

Optional

Ceiling: Hairline stainless steel, down lamp
 Car wall: Side wall: Hairline stainless steel, mirror stainless steel
 Rear wall: Hairline stainless steel, mirror etching stainless steel
 Handrail: Stainless steel, wood
 Floor: PVC floor



TO-J015

Optional

Ceiling: Hairline stainless steel, four sides down lamp
 Car wall: Stainless steel mirror, wood grain laminated plate
 Floor: PVC floor



TO-J016

Standard

Ceiling: Mirror stainless-steel modeling, light filter, LED down lamp
 Car wall: Front wall: Brushed stainless steel
 Rear wall: Art wallpaper, mirror stainless steel
 Side wall: Fireproof composite veneer, brushed stainless steel
 Floor: PVC floor



TO-J017

Optional

Ceiling: Mirror stainless steel, LED down lamp, white stoving varnish and tape lights
 Car wall: Side wall: mirror stainless steel, fire-proof panel with marbling, brushed stainless steel capping strip, brushed stainless steel skirting line and brushed stainless steel gib
 Rear wall: mirror stainless steel, art glass, brushed stainless steel capping strip, brushed stainless steel skirting line
 Floor: Marble parquet



TO-J018

Optional

Ceiling: Mirror stainless steel, LED down lamp, white stoving varnish and tape lights
 Car wall: Side wall: Black titanium mirror stainless steel, wood grain fire-proof plate, brushed stainless steel capping strip, brushed stainless steel skirting line, brushed stainless steel and stainless steel handrail
 Rear wall: Black titanium mirror stainless steel, rose gold mirror stainless steel etching, brushed stainless steel capping strip and brushed stainless steel skirting line
 Floor: Floor tiles

Panoramic Elevator

Tenau observation elevator adheres to the design principle of innovativeness and fashion. To meet various demands of hotels and supermarkets, our company provides different elevator designs according to their building styles. Delicate style designs provide passengers with different scenic perspectives and broad scenic views.



Delicate lift car

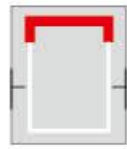
Tenau provides different decoration options for lift cars, so as to match up facades and interior decoration of various buildings.

Rich structures

Square, circular and polygon reinforced glass structures offer different scenic perspectives and bring all views to eyes of passengers.



Semi-circular shaped panorama elevator



Square shaped panorama elevator



Cutting-angle-type panorama elevator

Comfortable and stable operation

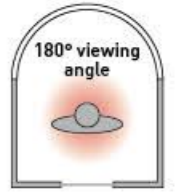
Our company aims to improve experience of passengers by applying several advanced technologies and creating dynamic and comfortable space. Passengers will feel pleasant and comfortable during stable operation of the elevator.

Transparent structures for wide views

The elevator adopts safe laminated glass which could offer wide views by its transparent nature. Streamline design and wide views provide passengers with a broad and clear world they have never experienced.



Panoramic Elevator 180° half-round observation



TO-G001

Standard

Canopy: Painted steel with decoration
 Observation wall: Three pieces of laminated glass
 Car Ceiling: Mirror stainless steel
 Car wall: Hairline stainless steel
 Handrail: Single tube with stainless steel
 Car floor: PVC floor



TO-G002

Standard

Car Cover: Paint steel, tube lamp, acrylic lamp
 Observation Wall: Laminated glass three pieces
 Decoration Roof: Acrylic roof lamp
 Car Wall: Hairline finished St/St
 Handrail: ϕ 38 Stainless steel tube
 Floor: PVC floor



TO-G003

Standard

Upper / lower hood: White acrylic
 Observation wall: Laminated glass (5+5 three pieces)
 Decoration ceiling: Steel plate plastic, tube lamp
 Car wall: Hairline stainless steel
 Handrail: ϕ 38 stainless steel tube
 Floor: PVC



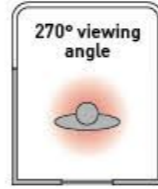
TO-G004

Standard

Car Cover: Paint steel plate, decoration lamp
 Observation Wall: 3PCs of safety laminated glass
 Decoration Roof: Acrylic roof lamp
 Car Wall: Hairline plate, etched
 Handrail: Stainless steel tube
 Floor: PVC floor

Panoramic Elevator

270° three-side observation



TO -G005

Standard

Car Cover: Painted steel, Tube Lamp
 Observation Wall: Laminated glass
 Decoration Roof: Acrylic lighting cover
 Car Wall: Hairline Finished St/St
 Handrail: ϕ 25.4 Stainless steel double tube
 Floor: PVC Floor



TO -G006

Standard

Car cover: Baking enamel, lighting decoration
 Observation wall: Laminated glass safety clamp
 Decoration ceiling: Mirror finished st./st, acrylic
 Car wall: Laminated glass
 Handrail: Stainless steel tube
 Floor: PVC



TO -G007

Standard

Upper/lower shades: Stepped pentagon steel plate banking finish with decoration lamp
 Ceiling: Middle with acrylic roof lamp, side with tube lamp
 Side wall and back wall: Stainless steel hairline board
 Front wall: Laminated glass safety clamp
 Handrail: Stainless steel round handrail
 Floor: PVC floor



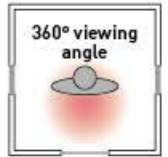
TO -G008

Optional

Car cover: Hairline stainless steel, stainless steel mono-tube
 Observation wall: Safety laminated glass
 Decoation roof: Mirror stainless steel, light-emitting panel, down lamp
 Car wall: Hairline stainless steel
 Handrail: Stainless steel mono-tube
 Floor: PVC

Panoramic Elevator

360° 3D full-view observation



TO -G009

Optional

Outer decoration: Mirror ST. ST.
 Ceiling: Mirror ST. ST., acrylic, LED spotlight
 Observation wall: Laminated safety glass
 Walls: Mirror ST. ST.
 Handrail: ST. ST. tube
 Flooring: Marble
 Front wall: Laminated safety glass
 Car door: Mirror ST. ST. framed glass door



TO -G010

Optional

Car cover: Baking painted steel, acrylic lighting decoration
 Observation wall: Laminated glass, 6+6mm
 Decorative ceiling: Baking painted steel frame, light-passing board
 Car wall: hairline Stainless steel
 Handrail: Stainless steel flat handrail
 Floor: PVC



TO -G011

Optional

Outer decoration: Mirror ST. ST.
 Ceiling: Mirror ST. ST., acrylic, LED spotlight
 Observation wall: Laminated safety glass
 Walls: Mirror ST. ST.
 Handrail: ST. ST. tube
 Flooring: Marble
 Front wall: Laminated safety glass
 Car door: Mirror ST. ST. framed glass door

Hospital Elevator

Tenau high-quality medical elevator is developed on basis of deep researches on demands of medical institutions. Our company uses advanced technologies and humanized design to meet demands of doctors and patients for delivering stretchers and medical devices. The elevator is characterized by reliability, stability, accuracy, comfortable experience and energy efficiency. It can meet demands of modernized hospitals, medical centers and sanatoriums.



Automatic ultraviolet disinfection (optional)

In case of staying in idle status, the elevator will automatically start up ultraviolet disinfection device to eliminate viruses and keep the lift car clean.

Deferred closing button (optional)

The elevator is equipped with deferred closing button to delay the closing, so as to guarantee personal safety of medical staff and patients while they enter or leave the lift car.

Safety and reliability

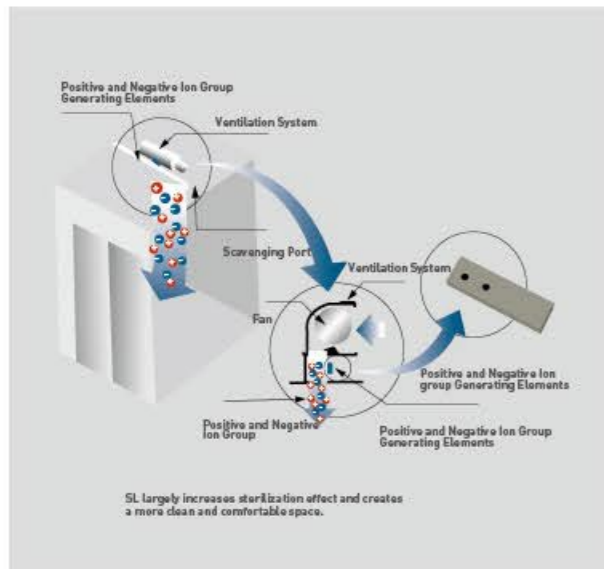
Complete security technology system ensures safe operation of the elevator and provides medical staff and patients with more care.

Optimized lift car structure

The lift car enables heavy load with a satisfactory depth. It could hold stretchers or even sickbeds.

EMC (electromagnetic compatibility)

The elevator can resist electromagnetic interference of medical devices to meet demands of medical systems.



TO-Y001

Standard

Ceiling: Painted steel, fluorescent lighting, tube lamp (integration)
 Car wall: Hairline stainless steel
 Handrail: Double flat stainless steel
 Floor: PVC



TO-Y002

Standard

Ceiling: Hairline stainless steel
 Car wall: Hairline stainless steel
 Handrail: Double flat stainless steel
 Floor: PVC

Cabin operation Panel

Standard



TO-C010



TO-1030A



TO-CEC301



TO-LSC260
Wall-mounted
control box

Optional



TO-C500



TO-C500X
Wall-mounted
control box

Display: Dot-matrix display
Material: Hairline stainless steel
Parking number: Below 28F

Button optional

TO-AN112
Square stainless steel,
with braille

TO-AN113
Circular stainless steel,
with braille

Multimedia display



TO-LCD01



TO-LCD02

Optional



TO-C600



TO-C610X
Wall-mounted
control box

Display: Dot-matrix display
Material: Hairline stainless steel
Parking number: Below 28F

Button optional

TO-AN112
Square stainless steel,
with braille

TO-AN113
Circular stainless steel,
with braille



TO-C8002



TO-C8004
Inserted
integrated model



Touch TO-C8012



Touch TO-C8011

Integrated operation panel



TO-C700
Integrative
operation panel

Display: Dot-matrix display
Material: Hairline stainless steel

Optional decoration

Hall operation panel (optional)



TO-C8002X



TO-C8002X-2



T09001



TO-C010X



TO-C010X-2



TO-DEC300



TO-LEC300



TO-EH1030A



TO-EHD1030A

Buttons (Optional)



TO-A101



TO-A102

Multimedia (Optional)



Picture display
7 inch
8 inch
10.4 inch



Video display
8 inch
10.4 inch
12.1 inch & 15 inch

Direction light (optional)



TOK212



TOG371



TOK451

Ceiling



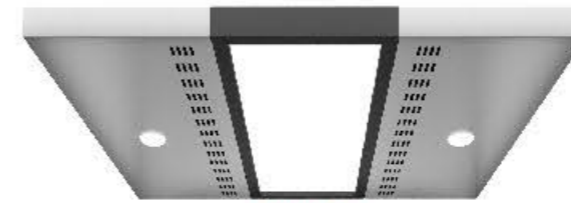
TO-D101

Painted steel plate, four side down lamp



TO-D102

Painted steel, downlight



TO-D103

Stainless steel, LED lighting



TO-D106

Mirror stainless steel, LED downlight



TO-D010

Stainless steel mirror board, energy-saving lamps



TO-D040

Stainless steel mirror board, energy-saving lamps



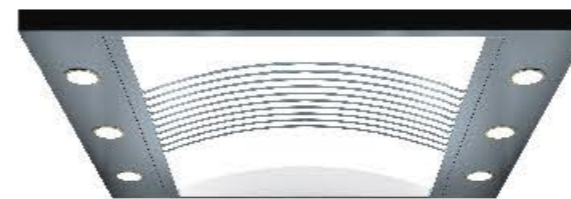
TO-D190

Painted steel, acrylic translucent panel



TO-D140

White transparent light board, energy-saving lamps



TO-D200

Image roof, stainless steel, tube lamp with soft illumination



TO-D230

White light-emitting panel, down lamps on both sides

Optional decoration

Handrail (Optional)



Landing door series



TO-M010
Landing door: Paint steel
Jamb: Paint steel



TO-M011
Landing door: Mirror, etching, hairline
Jamb: Hairline stainless steel



TO-M012
Landing door: Mirror, etching, hairline
Jamb: Hairline stainless steel



TO-M013
Landing door: Mirror, etching
Jamb: Hairline stainless steel

Color card



TO-M014
Landing door: Hairline stainless steel
Jamb: Hairline stainless steel



TO-M015
Landing door: Mirror, etching, hairline
Jamb: Hairline stainless steel



TO-M016
Landing door: Mirror, etching, hairline
Jamb: Hairline stainless steel



TO-M020
Landing door: Mirror, etching, vibration, hairline concave in golden
Jamb: Hairline stainless steel

Floor



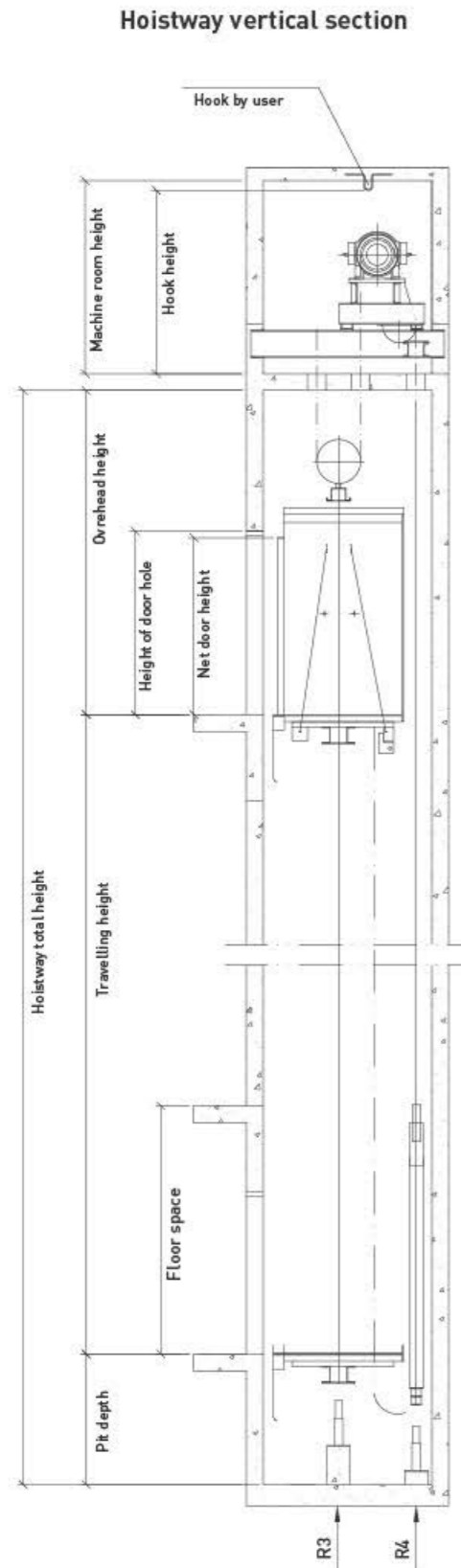
Function Table

S-Standard O-optional, Need to increase Optional

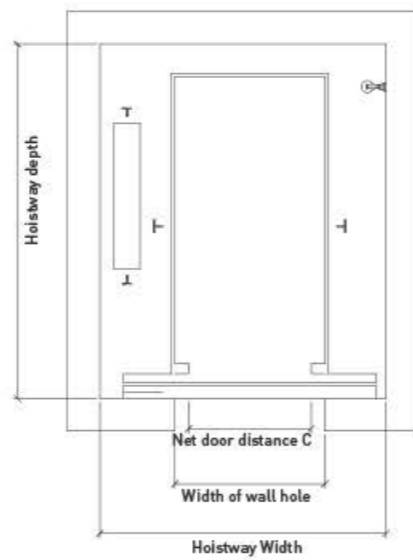
Travel function	
S VVF drive	Motor rotating speed can be precisely adjusted to get smooth speed curve in lift start,travel and stop and gain the sound comfort.
S VVF door operator	Motor rotating speed can be precisely adjusted to get the more gentle and sensitive door machine start/stop.
S Independent running	The lift can not respond to outer calling, but only respond to the command inside the car through the action switch.
S Automatic pass without stop	When the car is crowded with the passengers or the load is close to preset value, the car will automatically pass the calling landing in order to keep maximum travel efficiency.
S Automatically adjust door opening time	Door-open time can be automatically adjusted according to the difference between landing calling or car calling.
S Reopen with hall call	In the door shutting process, press reopen with hall call button can restart the door.
S Express door closing	When the lift stops and opens the door, press door-shut button, the door will be closed immediately.
S Car stops and door open	The lift decelerates and levels, the door only opens after the lift comes to a complete stop.
S Car arrival gong	Arrival gong in the car top announces that the passengers arrive.
S Command register cancel	If you press the wrong floor command button in the car,twice continuous pressing of the same button can cancel the registered command.
O Anti- nuisance	In the light lift load, when three more commands appear, in order to avoid the unnecessary parking, all the registered callings in the car will be cancelled.
O Open the door in advance	When the lift decelerates and enters into door open zone, it automatically opens the door to enhance the travel efficiency.
O Direct parking	It completely accords with distance principle with no crawling in the leveling, It greatly enhances the travel efficiency.
O Group control function	When three or more same model lift groups are controlled in use, the lift group can automatically choose the most appropriate response. It avoids the repeated lift parking, reduces the passengers' waiting time and increases the travel efficiency.
O Duplex control	Two sets of same model lifts can unanimously respond the calling signal through the computer dispatch. In this way, it reduces the passengers' waiting time to the greatest extent and enhances the travel efficiency as well.
O On-duty peak service	Within the preset on-duty time, upward transport from the home landing is extremely busy. The lift are continuously dispatched to the home landing in order to satisfy on-duty peak service.
O Off-duty peak service	Within the preset off-duty period, the lifts are continuously dispatched to top floor in order to satisfy off-duty peak service.
O Door open time extending	Press special button in the car, the lift door keeps open for certain period of time.
Man-machine interface	
S Micro-touch button for car call and hall call	Novel micro-touch button is used for operation panel command button in the car and landing calling button.
S Floor and direction indicator inside car	The car shows the lift floor location and current travel direction.
S Floor and direction indicator in hall	The landing shows the lift floor location and current travel direction.
O Voice announcer	When the lift normally arrives, voice announcer informs the passengers about the relevant information.
O Car assistant operation box	It is used in the large loading weight lifts or the lifts with crowded passengers so that more and more passengers can use the car.
O Operation box for the handicapped	It is convenient for the wheelchair passengers and those who have vision problems.
O Intelligent calling service	The car command or hoist-way calling can be locked or connected through special Intelligent Input.
O IC card control function	All (partial) landings can only input car commands through IC Card after the authorization.

Monitor function	
O Remote monitor	The lift long-distance monitor and control can be fulfilled through modem and telephone. It is convenient for the factories and service units to timely know the travel conditions of every lift and promptly take the corresponding measures.
O Remote control	The lift can have independent travel according to the specific requirements through operation monitor screen (optional).
O Camera function in the car	The camera is installed in the car to monitor the car conditions.
Safety function	
S Light curtains protection	In the door open and shut period, infrared light that covers the whole door height is used to probe the door protection device of both the passengers and objects.
S Designated stop	If the lift can not open the door in the destination floor out of some reason, the lift will close the door and travel to the next designated floor.
S Overload holding stop	When the car is overload, the buzzer rings and stops the lift in the same floor.
S Anti-stall timer protection	The lift stops operation due to slippery traction wire rope.
S Start protection control	If the lift does not leave door zone within the designated time after it gets started, it will stop the operation.
S Inspection operation	When the lift enters into inspection operation, the car travels at inching running.
S Fault self-diagnosis	The controller can record 62 latest troubles so as to quickly remove the trouble and restore the lift operation.
S Repeated door closing	If the lift can not close the door due to certain obstacle or interference, the lift will reopen or re-shut the door until sundries are eliminated.
S Up/down over-run and final limit protection	The device can effectively prevent from the lift's surging to the trouble and restore the lift operation.
S Down over-speed protection device	When the lift down 1.2 time higher than the rated speed, this device will automatically cut off control mains, stop the motor running so as to stop lift down at over-speed. If the lift continues to down at over-speed, and the speed is 1.4 time higher than rated speed, safety tongs act to force the lift stop in order to ensure the safety.
S Upward over-speed protection device	When the lift up speed is 1.2 times higher than rated speed, the device will automatically decelerate or brake the lift.
S Elevator cab prevents accidental movement	When the elevator is in the open state, if there is accidental movement, the elevator cab can prevent the movement.
Emergency function	
S Emergency car lighting	Emergency car lighting automatically activated once power failure.
S Inching running	When the lift enters into emergency electric operation, the car travels at low speed inching running.
S Five way intercom	Communication amid car car top, lift machine room, well pit and rescue duty room through walkie-talkie.
S Bell	In emergency conditions, if bell button above car operation panel is continuously pressed, electric bell rings on top of the car.
S Fire emergency return	If you start key switch in main landing or monitor screen, all the callings will be cancelled. The lift directly and immediately drives to the designated rescue landing and automatically opens the door.
O Leveling when power failure	In normal power failure, the chargeable battery supplies the lift power. The lift drives to the nearest landing.
Energy-saving function	
S Car ventilation, light automatic shut off	If there is no calling or command signal within the stipulated time, the car fan and lighting will be automatically closed in order to save the energy.
S Remote shut-off	The lift can be called to main landing (after finishing the service) through the key switch and automatically exists the service.

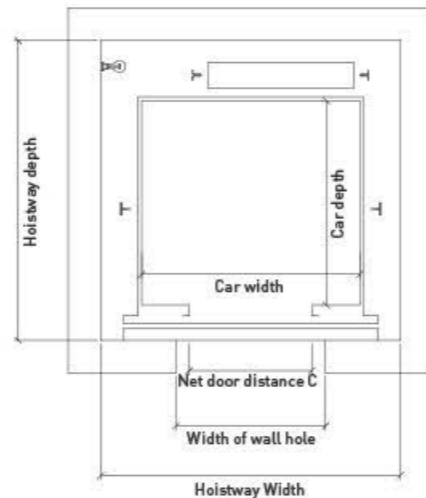
Machine Room Passenger Elevator Construction Parameter



Shaft plan layout(side)



Shaft plan layout(back)



Back machine room passenger elevator parameters

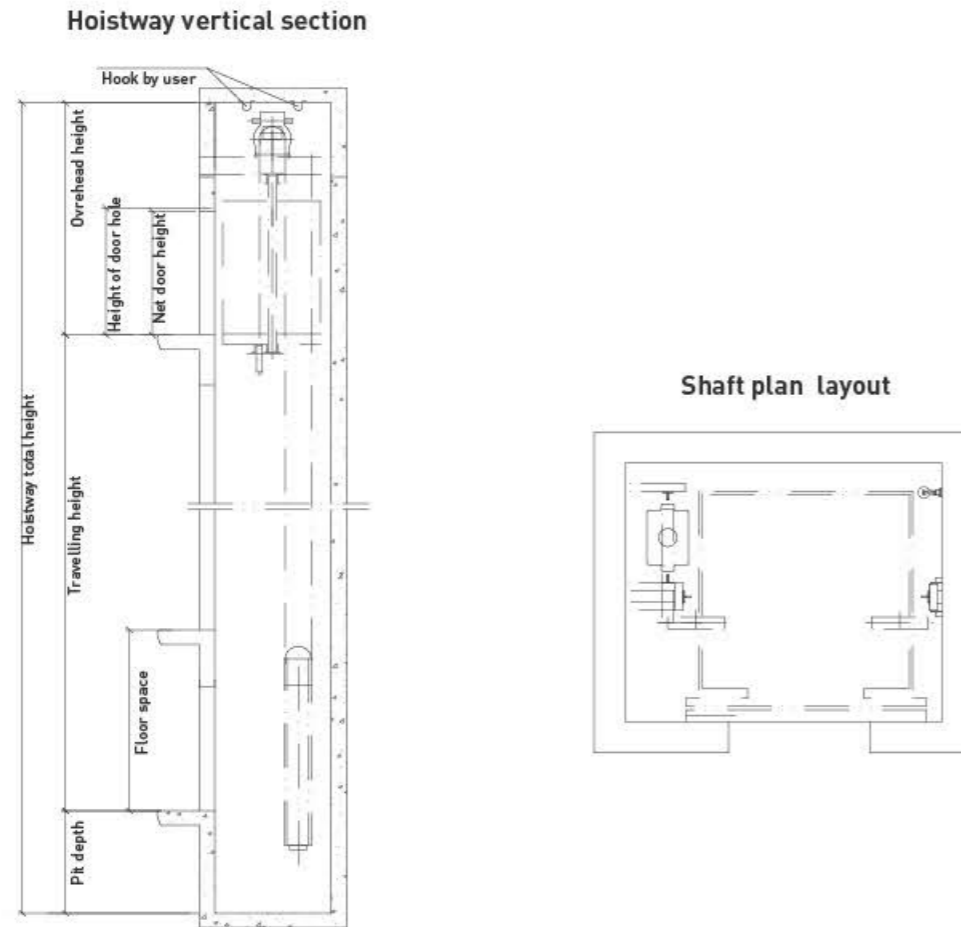
Load(kg)	Speed (m/s)	Car dimension(mm)	Door-opening size(mm)	Hoistway size(mm)	Overhead height (OH)	Pit depth (PP)
		Inner size AXB	Net door-opening	Width x depth		
630	1.0	1400X1100	800	1950X1750	4000	1200
	1.5				4100	1300
	1.75				4200	1400
	2.0				4500	1500
800	1.0	1400X1350	800	1950X2000	4000	1200
	1.5				4100	1300
	1.75				4200	1400
	2.0				4500	1500
	2.5			2000X2050	5000	2000
1000	1.0	1600X1500	900	2150X2150	4000	1200
	1.5				4100	1300
	1.75				4200	1400
	2.0				4500	1500
	2.5			2200X2200	5000	2000
1250	1.0	1800X1550	1100	2350X2200	4000	1200
	1.5				4100	1300
	1.75				4200	1400
	2.0				4500	1500
	2.5			2400X2250	5000	2000
1350	1.0	1900X1600	1100	2450X2300	4000	1200
	1.5				4100	1300
	1.75				4200	1400
	2.0				4500	1500
	2.5			2500X2350	5000	2000
1600	1.0	1950X1700	1100	2500X2400	4000	1200
	1.5				4100	1300
	1.75				4200	1400
	2.0				4500	1500
	2.5			2550X2450	5000	2000

Side machine room passenger elevator parameters

Load(kg)	Speed (m/s)	Car dimension(mm)	Door-opening size(mm)	Hoistway size(mm)	Overhead height (OH)	Pit depth (PP)
		Inner size AXB	Net door-opening	Width x depth		
630	1.0	1400X1100	800	2200X1700	3800	1200
	1.5				3900	1300
	1.75				4000	1400
	2.0				4300	1500
800	1.0	1400X1350	800	2200X1800	3800	1200
	1.5				3900	1300
	1.75				4000	1400
	2.0				4300	1500
	2.5			2250X1850	5000	2000
1000	1.0	1600X1500	900	2400X1950	3800	1200
	1.5				3900	1300
	1.75				4000	1400
	2.0				4300	1500
	2.5			2450X2000	5000	2000
1000 Stretcher elevator	1.0	1100X2100	900	2100X2500	3800	1200
	1.5				3900	1300
	1.75				4000	1400
	2.0				4300	1500
	2.5			2150X2550	5000	2000
1250	1.0	1800X1550	1100	2600X2050	3800	1200
	1.5				3900	1300
	1.75				4000	1400
	2.0				4300	1500
	2.5			2650X2100	5000	2000
1350	1.0	1900X1600	1100	2750X2100	3800	1200
	1.5				3900	1300
	1.75				4000	1400
	2.0				4300	1500
	2.5			2800X2150	5000	2000
1600	1.0	1950X1700	1100	2800X2200	3800	1200
	1.5				3900	1300
	1.75				4000	1400
	2.0				4300	1500
	2.5			2850X2250	5000	2000

The above civil construction parameter is for reference. Civil construction is subject to the formal civil construction diagrams.

Machine Roomless Passenger Elevator Construction Parameter

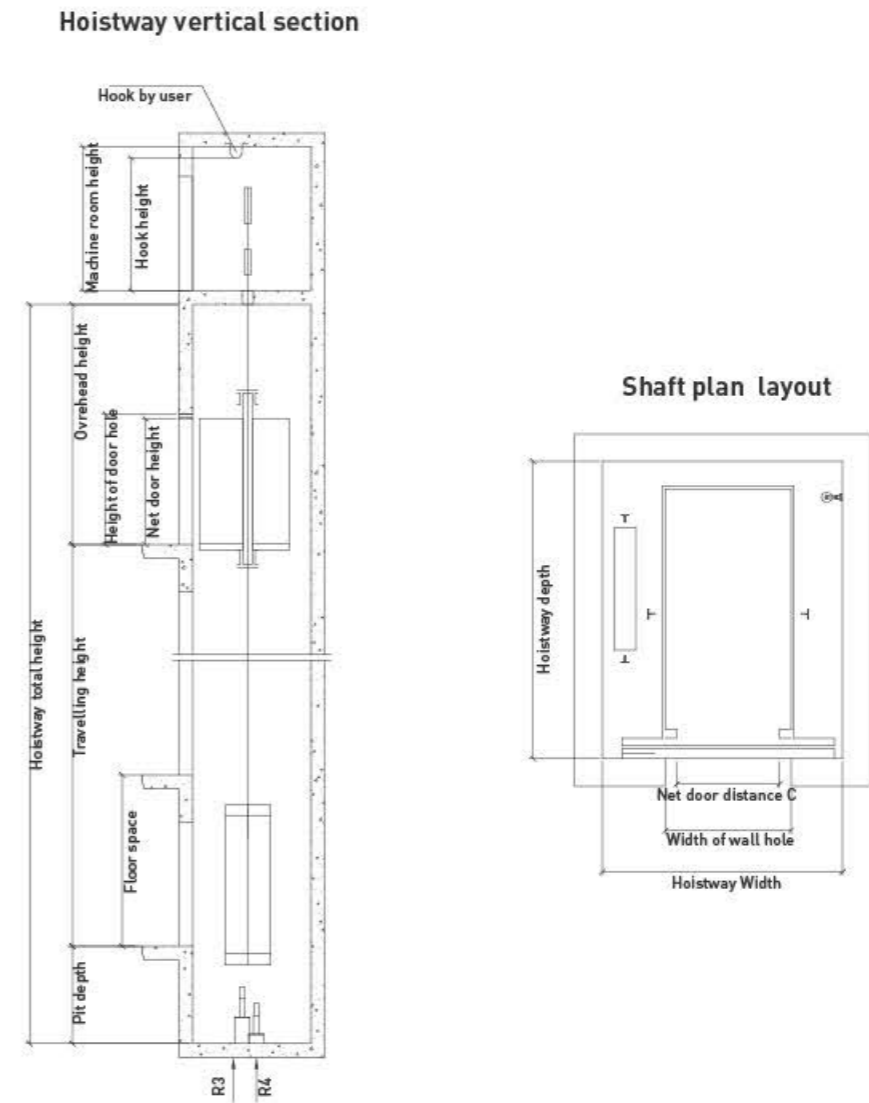


Machine roomless passenger elevator parameters

Load(kg)	Speed (m/s)	Car dimension(mm)	Door-opening size(mm)	Hoistway size(mm)	Overhead height (OH)	Pit depth (PP)
		Inner size AXB	Net door-opening	Width x depth		
630	1.0	1400X1100	800	2250X1750	3800	1300
	1.5				3900	1400
	1.75				4000	1500
	2.0				4300	1600
800	1.0	1400X1350	800	2250X1800	3800	1300
	1.5				3900	1400
	1.75				4000	1500
	2.0				4300	1600
1000	1.0	1600X1500	900	2450X1900	3800	1300
	1.5				3900	1400
	1.75				4000	1500
	2.0				4300	1600
1250	1.0	1800X1550	1100	2700X2000	4000	1300
	1.5				4100	1400
	1.75				4200	1500
	2.0				4300	1600
1350	1.0	1900X1600	1100	2800X2100	4000	1300
	1.5				4100	1400
	1.75				4200	1500
	2.0				4300	1600
1600	1.0	1950X1700	1100	2850X2200	4000	1300
	1.5				4100	1400
	1.75				4200	1500
	2.0				4500	1600
1600 Hospital elevator	1.0	1400X2400	1100	2550X2900	4200	1300
	1.5				4300	1400
	1.75				4400	1500
	2.0				4500	1600

The above civil construction parameter is for reference. Civil construction is subject to the formal civil construction diagrams.

Hospital Elevator Construction Parameter

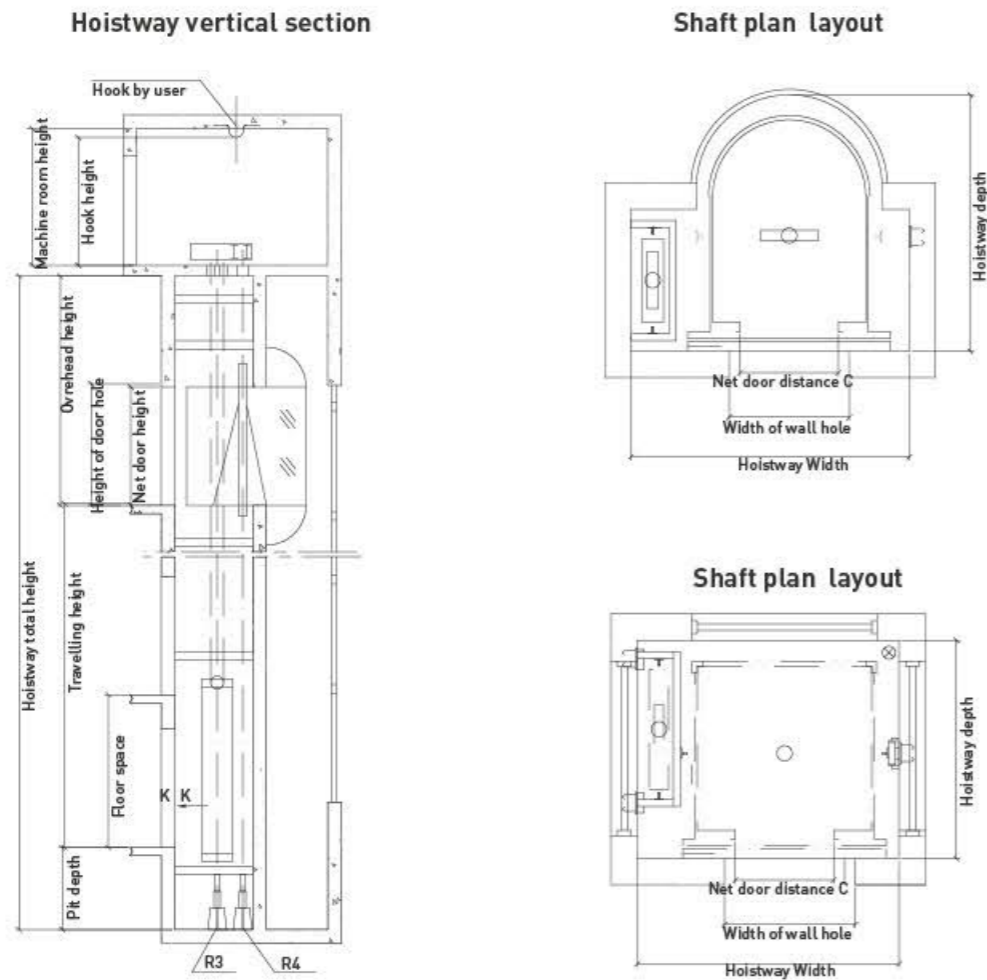


Hospital elevator parameters

Load(kg)	Speed (m/s)	Car dimension(mm)	Door-opening size(mm)	Hoistway size(mm)	Overhead height (OH)	Pit depth (PP)
		Inner size AXB	Net door-opening	Width x depth		
1600	1.0	1400X2400	1100	2500X2900	4000	1300
	1.5				4100	1400
	1.75				4200	1500
	2.0				4300	1600
2000	1.0	1500X2700	1300	2550X2950	5000	2000
	1.5			2600X3200	4000	1300
	1.75				4100	1400
	2.0				4200	1500
2.5	2650X3250	5000	2000			

The above civil construction parameter is for reference. Civil construction is subject to the formal civil construction diagrams.

Machine Room Panoramic Elevator Construction Parameter

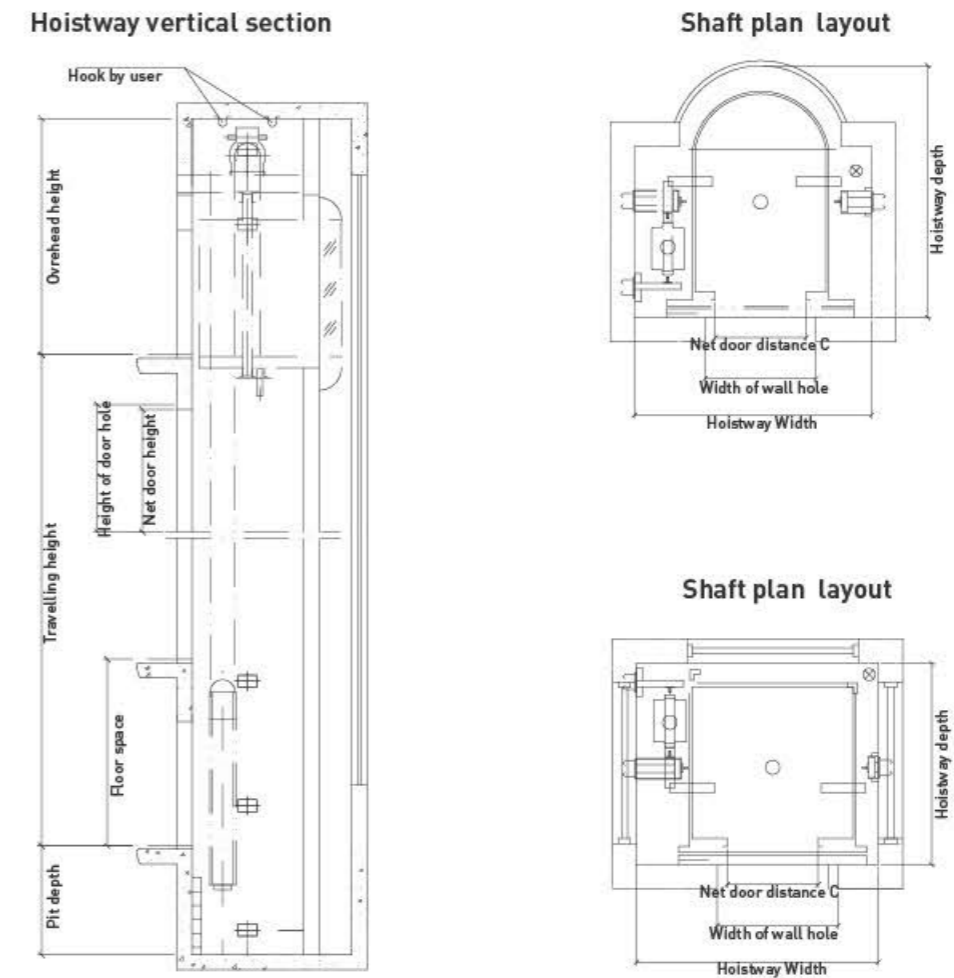


Machine room panoramic elevator parameters

Load(kg)	Speed (m/s)	Car dimension(mm)		Door-opening size(mm)	Hoistway size(mm)		Overhead height (OH)	Pit depth (PP)
		Inner size AXB		Net door-opening	Width x depth			
		Square	Round		Square	Round		
630	1.0	1400X1100	1300X1700	800	2200X1700	2150X2250	4000	1500
	1.5						4100	1600
	1.75						4200	1700
	2.0						4300	1800
800	1.0	1400X1350	1300X1700	800	2200X1800	2350X2250	4000	1500
	1.5						4100	1600
	1.75						4200	1700
	2.0						4300	1800
1000	1.0	1600X1500	1400X1850	900	2400X2000	2450X2350	4000	1500
	1.5						4100	1600
	1.75						4200	1700
	2.0						4300	1800
1250	1.0	1800X1550	1400X2150	900/1100	2600X2100	2350X2650	4200	1500
	1.5						4300	1600
	1.75						4400	1700
	2.0						4500	1800
1600	1.0	1950X1700	1500X2300	1000/1100	2750X2200	2500X2850	4200	1500
	1.5						4300	1600
	1.75						4400	1700
	2.0						4500	1800

The above civil construction parameter is for reference. Civil construction is subject to the formal civil construction diagrams.

Machine Roomless Panoramic Elevator Construction Parameter



Machine roomless panoramic elevator parameters

Load(kg)	Speed (m/s)	Car dimension(mm)		Door-opening size(mm)	Hoistway size(mm)		Overhead height (OH)	Pit depth (PP)
		Inner size AXB		Net door-opening	Width x depth			
		Square	Round		Square	Round		
630	1.0	1400X1100	No	800	2250X1700	No	4000	1500
	1.5						4100	1600
	1.75						4200	1700
	2.0						4300	1800
800	1.0	1400X1350	1300X1700	800	2250X1800	2150X2500	4000	1500
	1.5						4100	1600
	1.75						4200	1700
	2.0						4300	1800
1000	1.0	1600X1500	1400X1850	900	2450X2000	2350X2500	4000	1500
	1.5						4100	1600
	1.75						4200	1700
	2.0						4300	1800
1250	1.0	1800X1550	1400X2150	900/1100	2650X2100	2500X2650	4200	1500
	1.5						4300	1600
	1.75						4400	1700
	2.0						4500	1800
1600	1.0	1950X1700	1500X2300	1000/1100	2850X2200	2600X2850	4200	1500
	1.5						4300	1600
	1.75						4400	1700
	2.0						4500	1800

The above civil construction parameter is for reference. Civil construction is subject to the formal civil construction diagrams.

Spacious Space Taste Leisurely Life

Open space for your luxury villa
To highlight your identity, even the lift car
of elevator is no exception.

With compact design adopted for Tenau villa elevator, it saves the using area of well by 15%-20% and could provide larger size of lift car in the same well. The maximum net height of lift car can reach 2200mm (roof height: 3m), which can bring you open space experience and make you go in and out more easily.

It can save the using area of
well at least by 15%

15%

The roof height can reach 3m

3M



Green And Noiseless Design Gives You Healthy Life

Equivalent to that released by
a big tree with the height of 5m

5M

Filters PM2.5 to make lift car
filled with exceptional fresh air

PM2.5

8 million- negative oxygen ion fan (optional)

The anion it releases is equivalent to that released by a big tree with the height of 5m. In the meantime, it can sterilize, absorb methanol, remove peculiar smell & second-hand smoke and filter PM2.5 to make lift car filled with exceptional fresh air.

8 million negative oxygen ion fan



The application of a series of intelligent technologies to Tenau villa not only brings you comfort but also health.

Villa cabin decoration

Warm and Elegant



TO-V001

Optional

Ceiling: wooden modelling, gold foil, lamp belt and LED tube lamp
 Side wall: craft wooden facing, wallpaper and craft glass
 Rear wall: craft wooden facing, car edge mirror and wallpaper
 Handrail: craft handrail
 Floor: marble pattern



Warm and Elegant



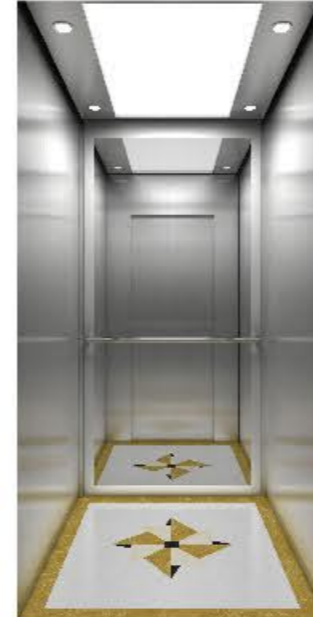
TO-V002

Optional

Ceiling: rose gold mirror stainless steel, gold foil and LED tube lamp
 Side wall: craft wooden facing and rose gold mirror stainless steel etching
 Rear wall: craft wooden facing and rose gold mirror stainless steel etching
 Handrail: craft handrail
 Floor: marble pattern



Minimalist Style



TO-V043

Optional

Ceiling: hairline stainless steel, acrylic light decoration, down light
 Car wall: hairline stainless steel, mirror stainless steel
 Handrail: stainless steel tube
 Floor: PVC pattern



Modern Style



TO-V010

Optional

Ceiling: mirror stainless steel, LED downlight
 Car wall: wood veneer, mirror stainless steel
 Floor: PVC



Simple



TO-V003

Optional

Ceiling: metal stoving varnish modeling, LED tube lamp
 Side wall: color grain steel plate, white stoving varnish steel plate and brushed stainless steel trim strip
 Rear wall: color grain steel plate, white stoving varnish steel plate
 Floor: PVC pattern



Enjoyable



TO-V040

Optional

Ceiling: painted steel frame, middle mirror stainless steel, surrounded by downlight lighting
 Side wall: rosewood veneer
 Rear wall: both sides of the rosewood, the middle mirror titanium etching stainless steel
 Floor: marble pattern



Golden Age



TO-V019

Optional

Ceiling: titanium mirror, cross-flow fan, LED floodlight
 Side wall: titanium mirror etching, marble
 Rear wall: titanium mirror, marble
 Floor: marble pattern



Simple



TO-V004

Optional

Ceiling: metal stoving varnish modeling, mirror stainless steel and LED tube lamp
 Side wall: color grain steel plate
 Rear wall: marble pad pasting, black titanium mirror stainless steel
 Floor: PVC pattern



Villa decoration

Car operation panel



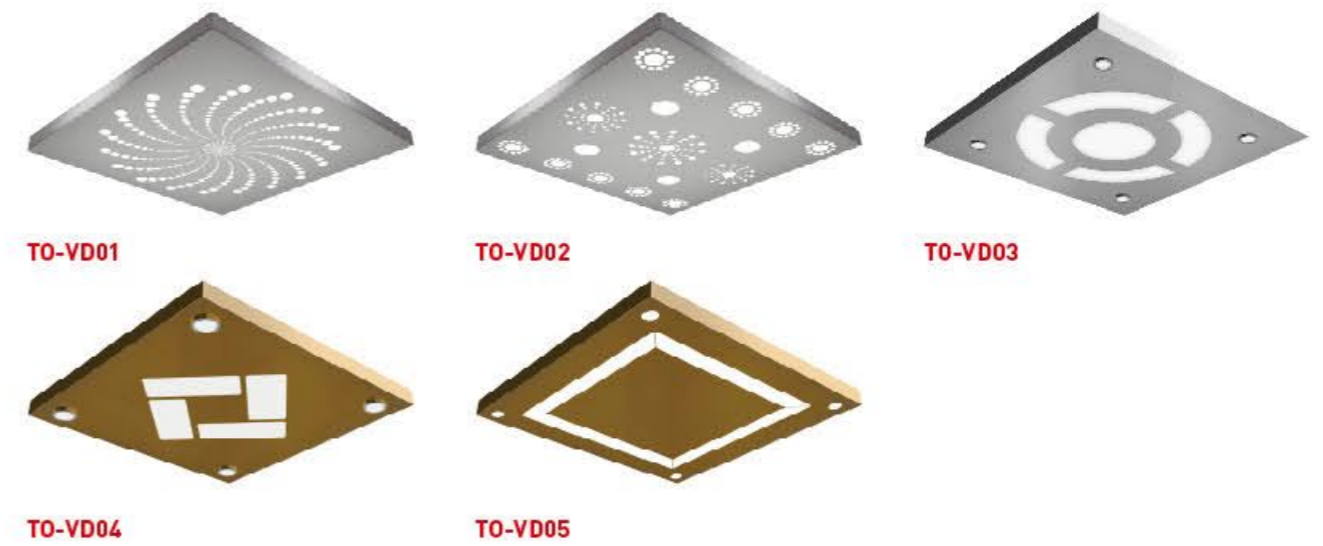
Handrail



Hoistway frame



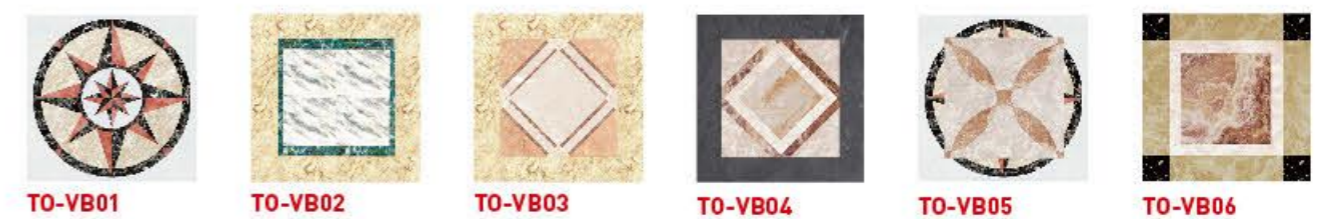
Ceiling



Landing door series



Floor



Function Table

S Standard Function **O** Optional Function

General Protection

S Closing time protection	S Protection against reverse travel
S Emergency lighting in the car	S Prevent slipping protection
S Overload warning (Caution light and buzzer)	S Safety circuit protection
S The screen door protection device	S Limit protection
S Car roof and control cabinet emergency electric operation	S Upper and lower limit protection device
S Fault automatic diagnosis	S Door interlock protection
S Alarm bell	S Operation contactor protection
S Hitting the bottom buffer device	S Brake detection and protection
S Outside door zone without opening door	S Manual brake release rescue
S Wave detection of grid voltage	S Machine room door switch
S Contactor feedback detection	S Driven equipment overheating protection (OHT)
S Relay detection protection	S Electric brake
S Speed feedback detection	S Automatic rescue device
S Fault low-speed self-rescue	S Emergency power supply device operation
S Hb button embedded self-diagnosis	

Information Display

S Hall and car digital position indicator	S Running number display
S Hall and car call/register	S Floor display character arbitrary setting
S Hall and car running direction display	

Steady Running

S Return to base station without call	S Pre-torque output
S Full collective control	S Upon elevator floor setting
S Independent service	S Hoistway self-learning
S Full-load direct running (LNS)	S End station for speed and floor number correction
S Automatic door switch	S Parking

Passenger Comfortability

S Hall and car door setting time	S Bypassed stop setting
S Open and close button	S Input port evaluation
S Automatic ventilation and lighting of automatic control in car	S Manually selected floor
	S Cancellation of wrong landing
S Hb calls door opening	O Voice announcement
S Repeated closing door	O Liquid display

Security Monitoring

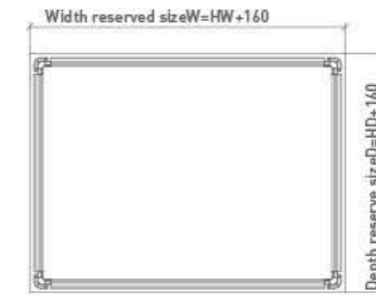
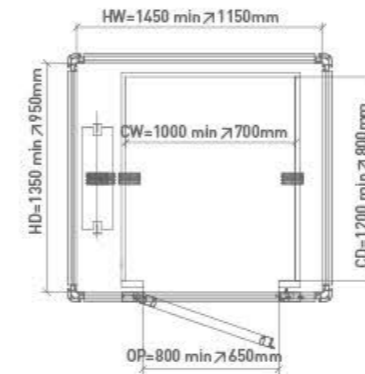
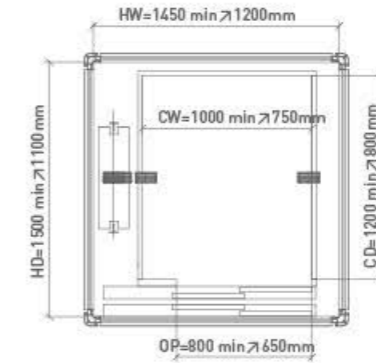
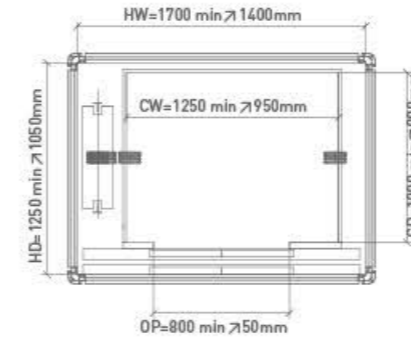
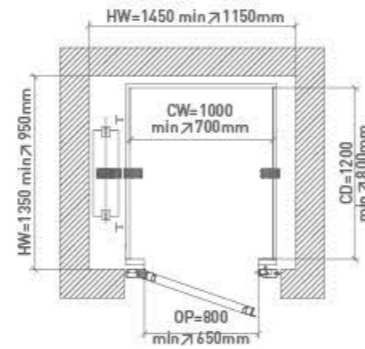
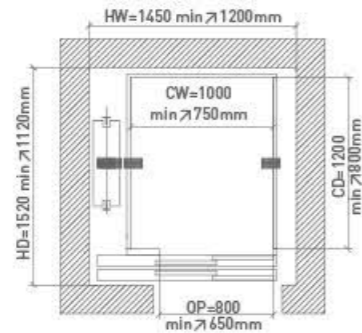
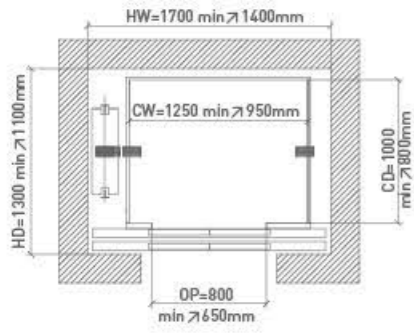
O CCTV cable (From car to machine room)	O BA interface (Dry contact)
S Elevator remote control	O Community monitoring panel
O Card reader	O Community computer monitoring

Construction Parameter Villa Elevator

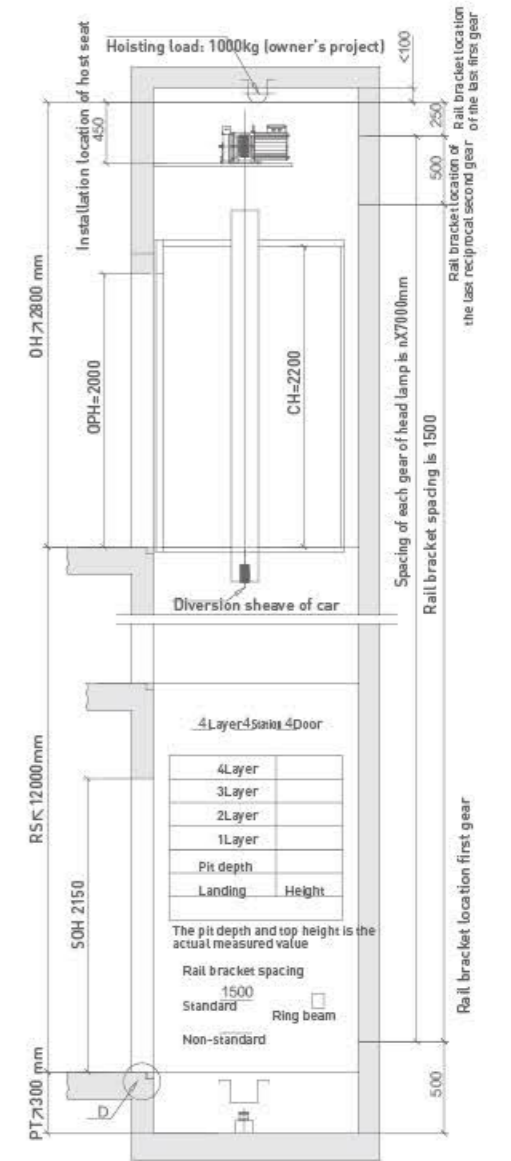
Villa elevator construction

Such as the need of the wheelchair, please offer another dimension by Tenau

Load kg	Car width CW	Car depth CD	Door opening width OP	Hoistway width HW	Hoistway depth HD
250	800	1000	700 Side opening	1300	1350
320	1000	1000	700 Center opening	1500	1300
400	1000	1200	800 Center opening	1500	1500



Hoistway vertical section



Model:TEH200

Type	Data	Car width	Car depth	Door opening width	Hoistway width	Hoistway depth
1HD	Min value	700	800	650	1150	950
	Calculation formula	HW-450	HD-150	HW-500	CW+450	CD+150
2CO	Min value	950	800	650	1400	1100
	Calculation formula	HW-450	HD-300	HW/2-50	CW+450	CD+300
2RO	Min value	750	800	650	1200	1120
	Calculation formula	HW-450	HD-320	(HW-200)/1.5	CW+450	CD+320

Note: The dimension for door opening width only includes 650, 700, 750 and 800 at the present. When calculating with formula, the result is for the four dimensions, please round down to the designated dimension.
The above civil construction parameter is for reference. Civil construction is subject to the formal civil construction diagrams.

Model:TEH200

Type	Data	Car width	Car depth	Door opening width	Hoistway width	Hoistway depth	External width of the frame	External depth of frame
1HD	Min value	700	800	650	1150	950	1210	1110
	Calculation formula	HW-450	HD-150	HW-500	CW+450	CD+150	HW+160	HD+160
2CO	Min value	950	800	650	1400	1050	1560	1210
	Calculation formula	HW-450	HD-250	HW/2-50	CW+450	CD+250	HW+160	HD+160
2RO	Min value	750	800	650	1200	1100	1360	1260
	Calculation formula	HW-450	HD-300	(HW-200)/1.5	CW+450	CD+300	HW+160	HD+160

Note: 1. The dimension for door opening width only includes 650, 700, 750 and 800 at the present. When calculating with formula, the result is for the four dimensions, please round down to the designated dimension.
2. Top height of hoistway is OH >= 2800; pit depth is PT >= 300.
The above civil construction parameter is for reference. Civil construction is subject to the formal civil construction diagrams.

Freight Elevator



This elevator is specifically designed for the transportation of cargoes, with many wide door opening modes and spacious yet sturdy car, suitable for the transportation of large cargoes and ensuring the safety when passengers and cargoes both present in the car. Technically, advanced CPU control is applied, realizing contact free control to elevate the performance of the elevator, making it the best choice for cargo transportation in factories, warehouses and malls, etc.

Consider practicality

Considering the size of the cargoes, the designing for the door of the car adopts multiple methods to open, so as to ensure the width of the door opening is the same as that of the car, making cargoes move freely in and out.

Subtle processing

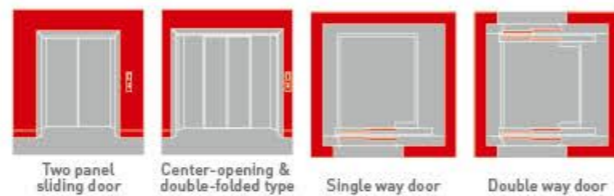
WVF technology ensures constant torque and, with a sturdy car, the elevator can keep constant operation under all circumstances and precise floor leveling.

Proven safety

Based upon standardized safety device, the slippery resistance as well as the door machine's safety configuration is improved, which ensures the precise leveling for cargo transportation.

The multiple door opening modes

In order to satisfy different entry / exit requirements from vast users, TENAU freight elevator offers four door opening modes of side opening, central opening double-folded door, one-way door opening, opposite door opening. It can flexibly match with the factory, warehouse, department store, shopping center, housing property management center etc.



Car elevator



In the modern city, there are more and more cars. To solve the difficulty of parking, TENAU uses its mature elevator technology to make for cars a hindrance-free transportation, vertically through a design, that considers the performance and size of various cars.

Large load capacity

Large area of the car elevator ensures a normal load capacity of over 3 tons, capable of handling various cars.

Convenient door opening design

Front and rear door opening are available, making it easy for cars to move in and out.

Rated load

> 3t

Save construction area

80%

Reliable safety device

Safety device is mounted on the car ground of the elevator, which alerts the drivers on real time basis to ensure safe operation.

Decoration Of Freight elevator & Car elevator



TO-J21H

Standard

Ceiling: Painted steel (optional color)
 Car wall: Painted steel (optional color)
 Car door: Painted steel (optional color)
 Skirtboard: Fluorescent lamp
 Floor: Riffled plate



TO-J22H

Optional

Ceiling: Hairline stainless steel
 Car wall: Hairline stainless steel
 Car door: Hairline stainless steel
 Skirtboard: Fluorescent lamp
 Floor: Riffled plate

Ceiling



TO-D100



TO-D110



TO-D120



TO-C100



TO-C100X

Car operation panel

Panel: Hairline stainless steel
 Display board: Plastic board (dark blue)
 Mode of display: Digital LED matrix display
 Calling button: Micro-buttons/framed mirrors,
 sanded stainless steel for the panel
 Responding light: LED

Landing door series



TO-M070
Standard



TO-M080
Standard

Optional color cards



RAL7035
Light gray



RAL1015
Creamcolored



RAL6027
Light green



RAL6019
Indigo Green

Function Table

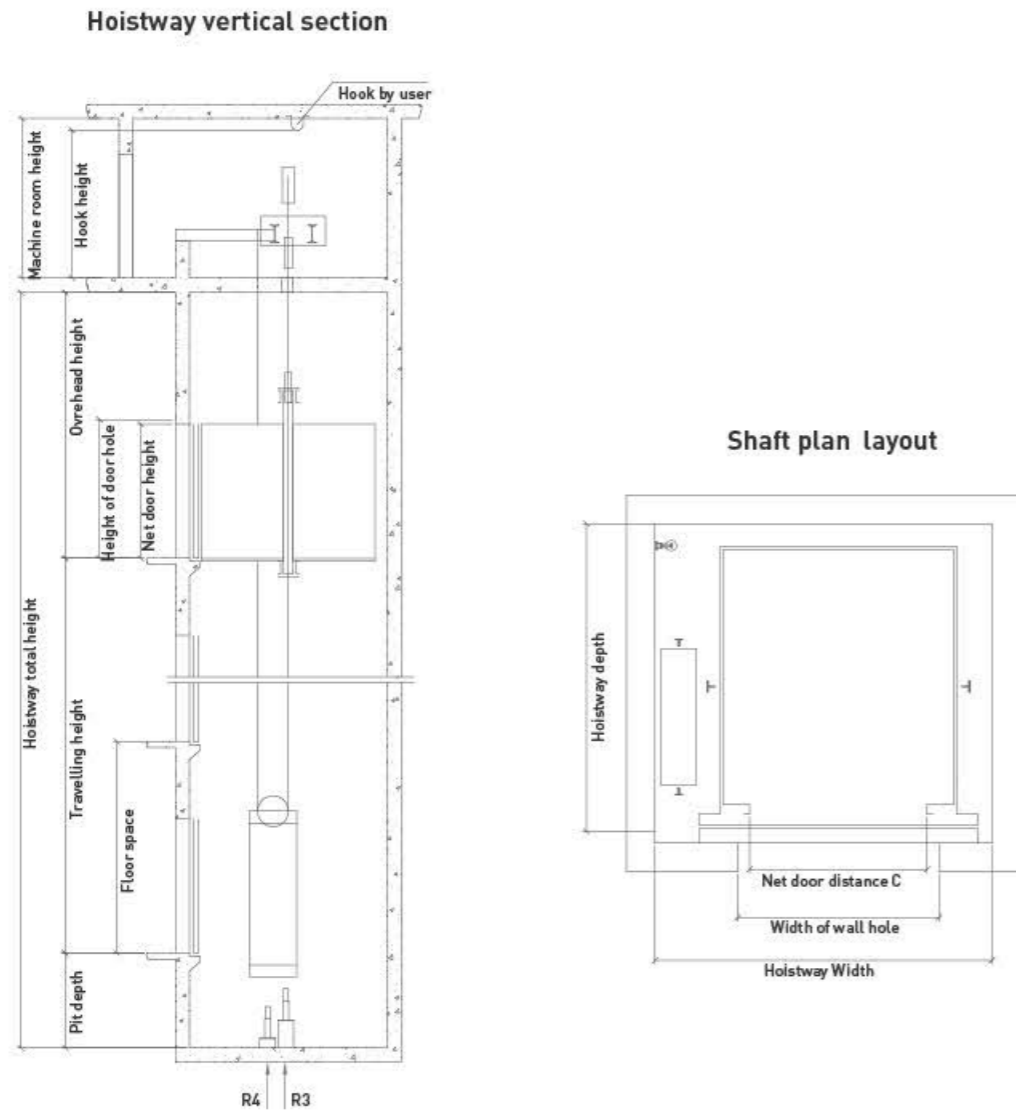
Control function	Information function
S Well and floor distance self-tuning	S Full collective control
S Power on re-leveling	S Full-load bypass
S Micro-touch button for car	S Main floor shut off
S Start protection control	S Self diagnosis of breakdown
0 Car arrival chime	S Five-way communication
S WVF drive	S Car's Bell
S WVF drive for door operator	S Floor and direction indicator in the car
0 The second car operation panel	S Floor and direction indicator at hall
S Automatic adjustment of door open holding time	0 Voice announcement
S Car call cancel	0 Traffic dispatch
S Automatic running	0 IC card control
S Attendant running	0 Traction machine monitor
S Duplex control function	
S Double door control	
0 IC card control	

Safety function	Comfortable function
S Light curtain protection	S Emergency car lighting
S Overload holding stop	S Car ventilation light automatically shut off
S Terminal forced slow-down protection	S Repeated door closing
S Up/down overrun and final limit protection	S Reopen with hall call
S Down over speed protection	S Express door closing
S Up over speed protection	S Car stop and door open
S Safety stop	0 Door opening time extending
S Inching operation	S Door close delay
S Inspection operation	
0 Power failure emergency leveling device	
S Anti- nuisance	
S Fire emergency return	
S Auto-landing with fault	
S Safety circuit protection	
S Door interlock protection	
S Main contactor protection	
S Brake detecting protection	

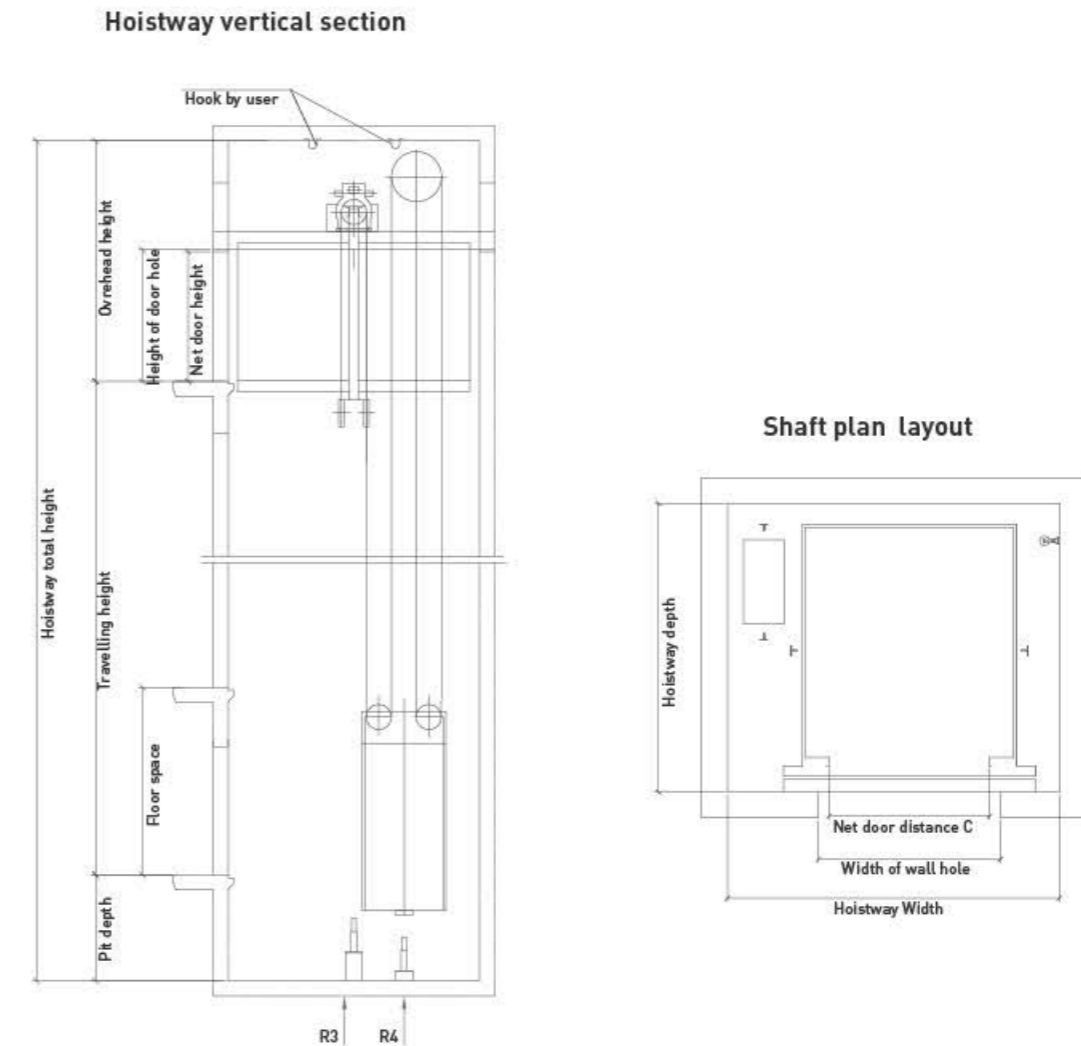
S Standard Function **0** Optional Function

Remark: Please refer to TENAU technical documents and contact our TENAU sales person for details.

Freight Elevator Construction Parameter



Machine Roomless Freight Elevator Construction Parameter



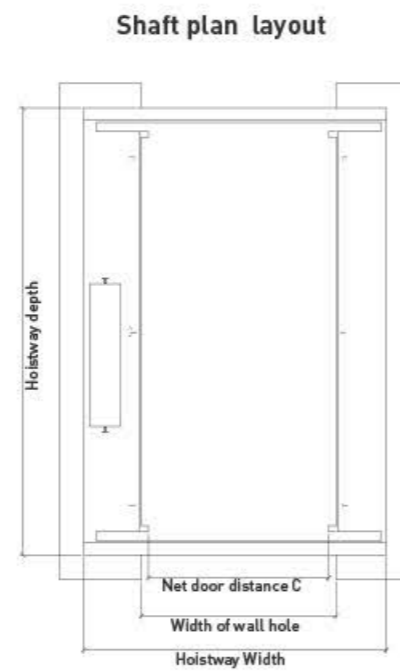
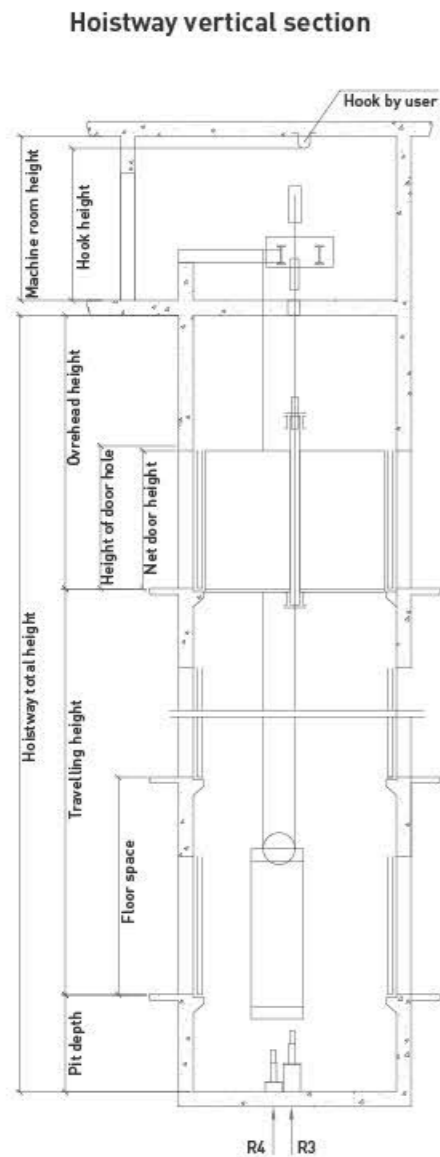
Freight elevator parameters

Load(kg)	Speed (m/s)	Car dimension(mm)	Door-opening size(mm)		Hoistway size(mm)	Machine room size	Overhead height (OH)	Pit depth (PP)
		Inner size AXB	Net door-opening	Net door height	XxY	SxT		
1000	0.5	1450x1600	1100	2200	2300x2200	3000x3000	4000	1200
2000	0.5	1950x2150	1500	2200	2850x2700	3500x4000	4200	1300
	1.0							
3000	0.5	2000x2900	2000	2200	3450x3400	4000x4000	4300	1400
	1.0							
5000	0.5	2400x3600	2400	2400	4000x4100	4200x5000	4400	1500
	1.0							
10000	0.5	3200x5000	2600	2400	4700x5500	4700x5500	4600	1700

Machine roomless freight elevator parameters

Load(kg)	Speed(m/s)	Car dimension(mm)	Door-opening size(mm)		Hoistway size(mm)	Overhead height (OH)	Pit depth (PP)
		Inner size AXB	Net door-opening	Net door height	XxY		
1600	0.5	1600x2150	1400	2200	2700x2600	4300	1500
	1.0						
2000	0.5	1950x2150	1500	2200	3200x2800	4400	1500
	1.0						
3000	0.5	2000x2900	2000	2200	3600x3400	4500	1500
	1.0						

Car Elevator Construction Parameter



Car elevator parameters

Load(kg)	Speed(m/s)	Car dimension(mm)		Floor door(mm)		Hoistway size(mm)				Generator room with one elevator		
		AA	BB	M	HH	AH	BH	PP	OH	AM	BM	HM
3000	0.5	2700	5500	2500	2200	4200	6300	≥ 1700	≥ 4500	4200	6000	2800
5000	0.5	3400	7250	2800	2400	4700	7900	≥ 1700	≥ 4600	4700	7500	2800

Escalator Summary

Urban flavor, charm scene

TENAU serial escalators fully apply the novel materials and the advanced domestic and overseas technology for design and manufacture. The escalators have the consummate structure, elaborate stairway, delicate belt, attractive outline. They are widely applicable for large passenger flow areas such as the shopping centers, supermarkets, subways, airports etc. It adds a charming mobile view for vast constructions.



Proper and stable running, deluxe and popular design

The large size diameter of step roller operates minimizes the noise and prolongs the product life.

The truss is made of high-quality steel, with unique structure, high strength and nice anti-corruption durable features.



The overall design is concise and smooth and compatible.

The advanced international craftsmanship ensures the accuracy of steps.

The human-oriented handrail entrance is secured by brush.

Etched stainless steel front panels are available with various varieties.

The super CPU main board monitors the operation in real time. If any abnormal situation occurs, it automatically brakes and records the malfunctions code.

The super CPU main board monitors the operation in real time. If any abnormal situation occurs, it automatically brakes and records the malfunctions code.

Customer can choose VVVF control to control running speed, the energy saving performance is obvious. It can prolong product life and reduce the operation cost.



Little noise



High efficiency & energy-saving



More secure



Elegant and attractive

Moving Walk Summary



Colorful decoration: Various styled handrail can meet personal demand in different environments. Beautiful stainless steel floor plate has a three-dimension effect. Inner and outer decking adopts stainless steel.

Compact structure, ease strain: Short pallets can greatly reduce space span, which can flexibly fits the building structure and save the construction space for the customer. It comprises H version (horizontal), I version (incline) and C version (compact) can let the customer have a free choice on his original layout.



Stable and reliable investment: The pallet directly connecting with the chain which makes the running more smoothly and quietly, thus the service life is extended and its maintenance can be easily conducted. Special designed big wheel handrail drive runs in low noise and big power, which improves the running condition of handrail, its life is hence prolonged. Unique tube structure has a big load capacity, which greatly improves the overall stability and service life.

As easy as in smooth ground, the everlasting popular design & quality

TENAU moving walk elevates the shopping to a newly concise and comfortable realm. It not only satisfies the conveying problem of large passenger flow, but also meets the requirements of long-distance walk, carrying luggage cart, baby's cart, shopping cart, the vehicle for the handicapped etc. It is very convenient for people's outing and shopping.

It merges with modern flavor design and style.

The stairway guiderail design with armrest fixes the whole stairway running in guiderail. It controls the stairway movement, avoids friction amid the step, skirting and comb teeth. It is convenient for installation, adjustment, repair and maintenance. It remarkably increases the running effects.

Incomparable economical: The moving walk fully utilizes advanced manufacturing process, greatly improves product performance and service life, the most direct result is that the operation cost of the customer is reduced. The optional VF drive technology yields great energy-saving, reducing the running cost to the maximum.

Heavy Duty Type Escalator

When we ascend the crest of our objective, the others appear so small.

TENAU SMEH30 public traffic type escalator is a significant achievement in the innovative steps of TENAU Elevator. The glorious 25m lifting height starts a new highlight in the domestic indoor public traffic type escalator field. It extends the product application to a broader range.

V-shaped handrail

It reinforces tensile breaking strength, prolongs service life of the handrail, strengthens contact area of handrail rotary end, enlarges handrail friction and effectively drives the handrail movements.

The roller is outside the step chain

The roller is outside the chain. $\Phi 100\text{mm}$ is diameter of master and slave wheel. It reduces the compressed load of main wheel and prolongs the roller's service life. The chain applies reinforced materials and structural design with enlarged tensile strength. The roller can be renewed independently so as to save the repair and maintenance period.

It increases the driving force and turning space

Regarding the turning radius, it largely increases the driving force and turning space of the whole transmission. In addition, it thickens the drive spindle diameter and enables the better bearing capacity.

Auxiliary brake

Auxiliary brake is in the upper part of the machine room. It uses frictional principle and the auxiliary brake operates through wedge and brake disc that is installed in spindle drive.

Emergency stop switch

On the basis of setting emergency stop switch in the original upper / lower entry / exit, emergency stop switch also sets every 5 meters of outer cover plate. It is used for sudden events. It can quickly stop the escalator and ensure the passengers' safety too.



4 horizontal steps

It applies 4 horizontal steps to enlarge the buffer distance in the travel, therefore the passengers are safer in using the escalators.

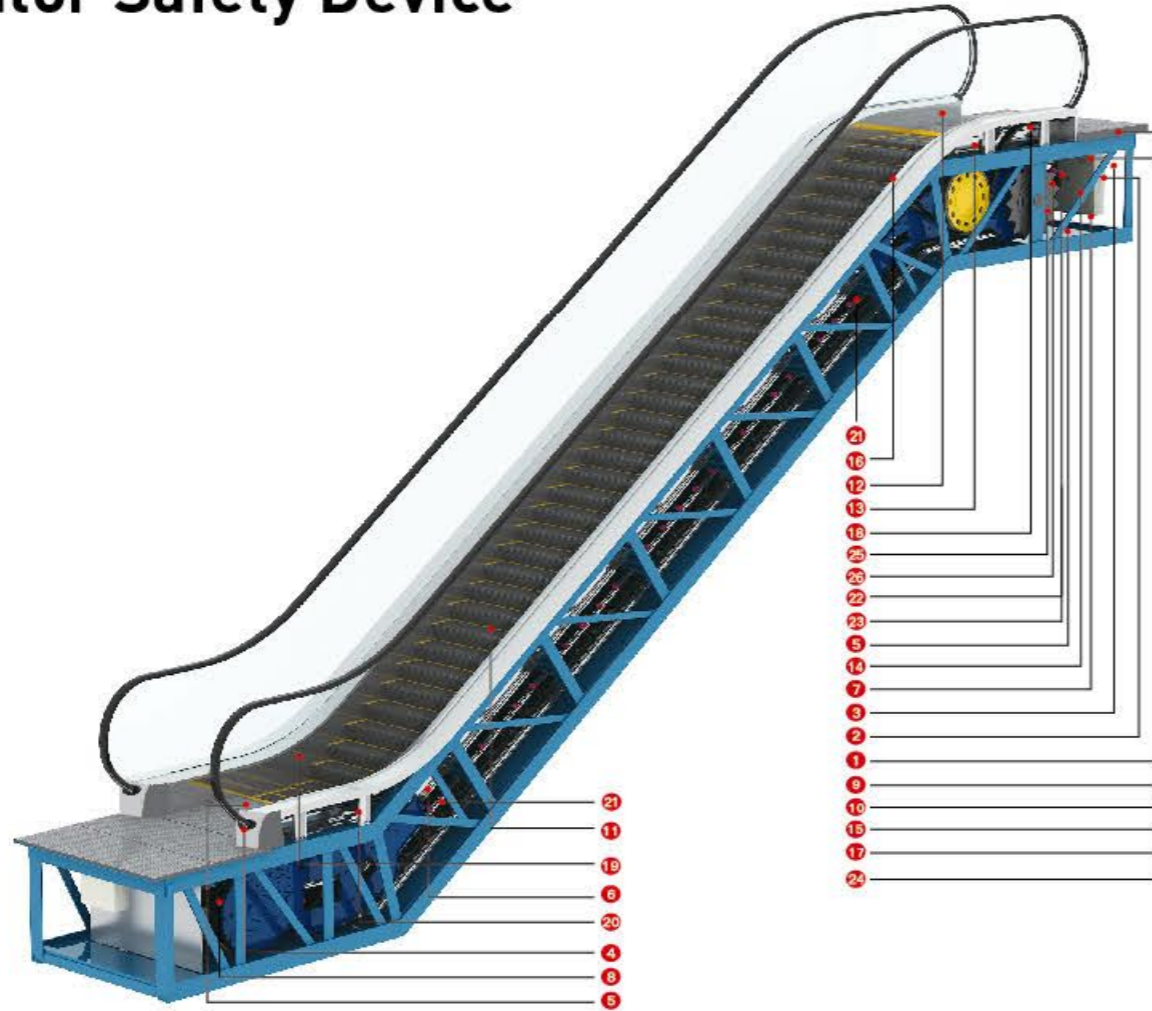


Technical specification of escalator installed in the escalator test tower

Type	Outside type	Heavy duty type	Public transportation type
Travelling height		25000mm	
Horizontal span		51847mm	
Inclined angle		30°	
Step width		1000mm	
Rated speed		0.65m/s	

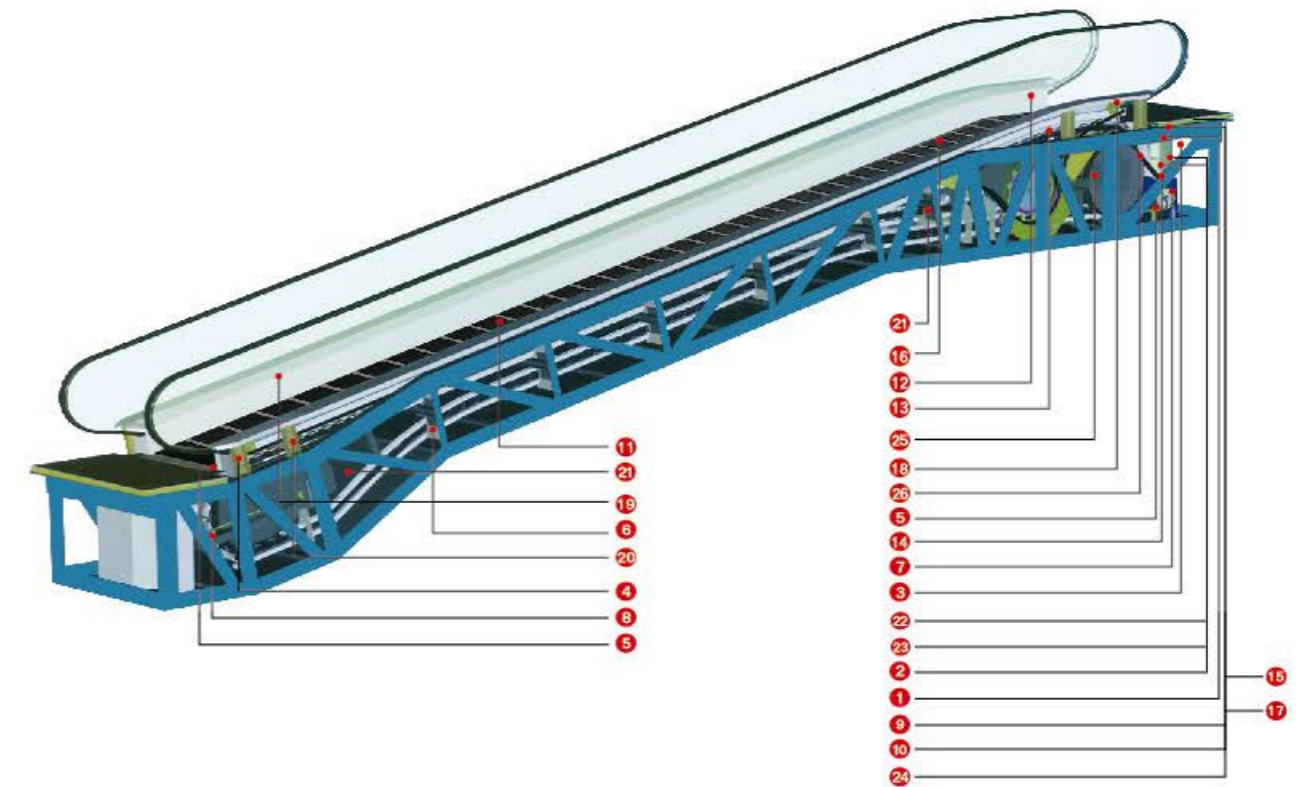
Quantity of flat steps	4
Traction machine power	37KWx2
Inverter power	75KW
Diameter of step main roller	$\Phi 100$
Diameter of step secondary roller	$\Phi 100$
Handrail drive mode	Sprocket-driven

Escalator Safety Device



Standard function	Description of functions
1.Lack of phase, error phase protection	if lack of phase or error phase has been checked out, the escalator (passenger conveyor) will automatically stop the operation.
2.Motor over-load protection	When the current exceeds 15% of the current rating, the escalator will automatically stop the operation.
3.Electrical appliance loop protection	It offers the automatic circuit disconnecting device to protect the circuit and mains components of the escalator (passenger conveyor).
4.Handrail inlet protection	When some foreign substance has been clipped in the handrail inlet, the escalator (passenger conveyor) will automatically stop the operation.
5.Comb plate safety device	When some foreign substance has been clipped in or between the combs, the escalator (passenger conveyor) will automatically stop the operation.
6.Step sagging protection device	When there is abnormal step bending, the escalator (passenger conveyor) will stop the operation before the step entering into the comb plate.
7.Broken drive-chain safety device	when the drive-chain has been over-stretched or it is broken, the escalator (passenger conveyor) will automatically stop the operation.
8.Broken step chain protection	When the step (plate) chain has been over-stretched or it is broken, the escalator (passenger conveyor) will automatically stop the operation.
9.Over-speed protection	When there is over-speed to the escalator (passenger conveyor), it will automatically stop the operation.
10.Direction reversal protection	When it comes the unintentional reversal of the direction of travel, the escalator (passenger conveyor) will automatically stop the operation.
11.Security line	The yellow synthetic resin security line is located in the front position and two sides of the escalator tread so that the passengers will not tread in-between the edge of the adjacent step and the lift group lengthened skirt panel. The security line on both sides of the step is higher than the tread surface. (The passenger conveyor offers the selective yellow spray-painted security line.)
12.Emergency stop button	When the button has been pressed down, the escalator (passenger conveyor) will stop the operation.
13.Skirt panel protection	When some foreign substance has been clipped in between the skirt panel and the step, the escalator (passenger conveyor) will automatically stop the operation.

Moving Walk Safety Device

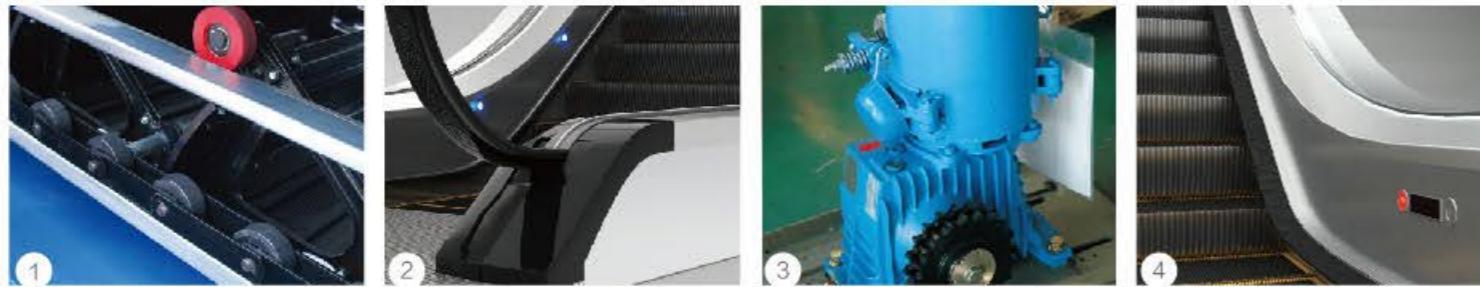


14.Brake protection	When the electric force falls short of supply or it acts any of the safety device, the brake function goes into effect by the safety device through the spring resilience action. In this way, the escalator (passenger conveyor) stops the operation.			
15.Safety inspection switch	It is a safety device to prevent from the escalator starting during the inspection and maintenance.			
16.Step illumination	Illumination exists in the upper and lower ends of the escalator, in the lower part of the step in order to remind the passengers of the security matters.			
17.Alarm bell starting device	The alarm bell rings when it starts the escalator in order to remind the passengers of the security matters.			
18.Control device for handrail breakage	When the handrail is broken, the escalator will automatically stop the operation.			
19.Skirt panel brush	The brush that has been installed between the skirt panel and the step will prevent the passengers from touching the skirt panel. (It is not merely restricted to the escalator.)			
20.Anti - static electricity device of the handrail belt	21.Anti - static electricity device of the steps board	22.The steps (pedal) loss protection	23.Fault display	24.Automatic refueling function

Option functions	Description of functions
25.VVF-variable frequency energy-saving system	When chooses the frequency converter,it can effectively reduce the energy consumption.
26.Comb illumination	The illumination has been installed in the skirt panel near the comb plate. It offers the lighting for the step and the comb plate. It is more convenient for the passengers to up and down the escalator.
27.Handrail illumination	The handrail illumination has been installed in the handrail frame. The gentle light adds charm to the running escalator.
28.Automatic start/ stop	The infrared ray sensor which is near the floor plate can detect the passenger that enter into the floor plate. Then it will automatically start the operation. After all the passengers leave, it will automatically stop the operation again in order to save the energy loss. Scanning sensor and traditional guide rod are available for your choice.
29.Fail-safe brake	When the chain drive breaks or the steps and handrail operating in the opposite direction of the specified direction, the assistant brake will cease the escalator. When the height of the escalator is over 6 meters, or on the pavement, it is necessary to be equipped with this device.

Standard & Optional Function

TENAU escalator / moving walk utilize multiple cutting-edge technologies to offer rich and varied functions for users to choose based on their needs. They fully satisfy the needs for new life in the future.



1 Step chain-roller inbuilt(standard)

The roller has been internally installed in the specially-designed roller step chain. It can effectively fulfill the reduction of the noise during the driving process and bring about a more smooth and quiet operation.

2 Handrail inlet(standard)

Novel, trendy and attractive design for the entrance and exit of the handrail belt makes the escalators more live and amicable.

3 Vertical type traction machine (standard)

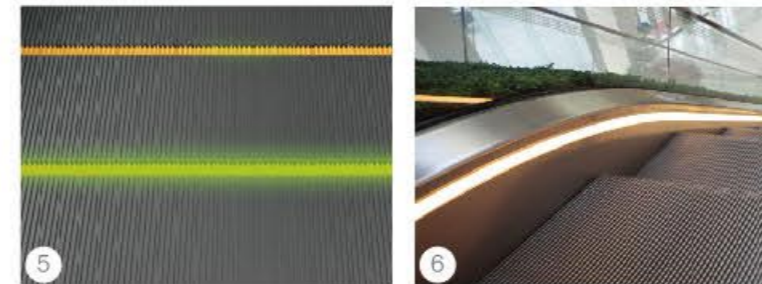
Higher transmission effectiveness, lower noise and longer service hours.

4 Moving directions and failure display (standard)

By means of observing the digital readings on the displaying plates mounted on both sides of the skirts board at the entrance and exit of the escalator (or moving walks), the maintenance work can be made promptly and easily.

5 Illumination for the passengers (standard)

Green light softly beams out from the space between the engaged teeth of the two neighboring steps to remind the passengers to be aware of the level sections both at the entrance and exit, resulting in increased security for the passengers.



6 Emergency brake device(optional)

The skirt board illumination arranged along side the steps' arc moving contour makes the passengers feel more comfortable and safe.

7 Heating device(optional)

Each escalator usually installs three heating devices. One is beside the host in the upper machine room. It mainly heats the host. The second is installed in the mid escalator. And the third is in the lower part. It mainly heats the whole escalator.

8 Variable frequency driving-VVVF (optional)

When there's no load, the escalator (or moving walk) moves at low speed and when the approach of a passenger is detected, it restores to the normal speed. This shows conspicuous energy saving effects, saving up to 40% of power.

9 Electric automatic lubrication(optional)

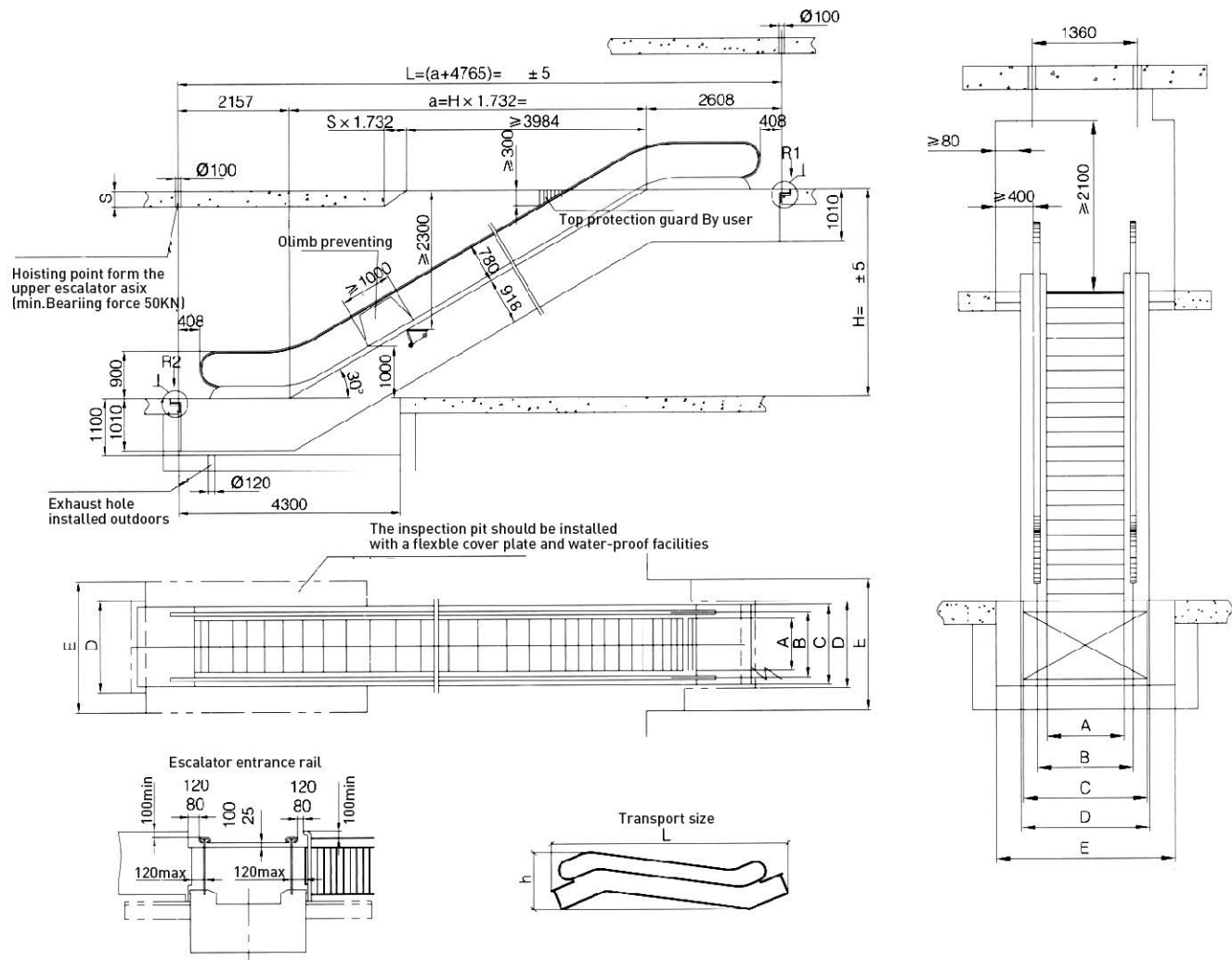
Controlled by PC, the lubricating signals are emitted after a preset period when the hydraulic pump is automatically activated to conduct the lubrication.

10 Running direction indication(optional)

The running direction and forbidden display mark have been placed in the inlet and outlet of the handrail. The obvious running or forbidden instruction ensures the safe riding of the passengers with great ease.



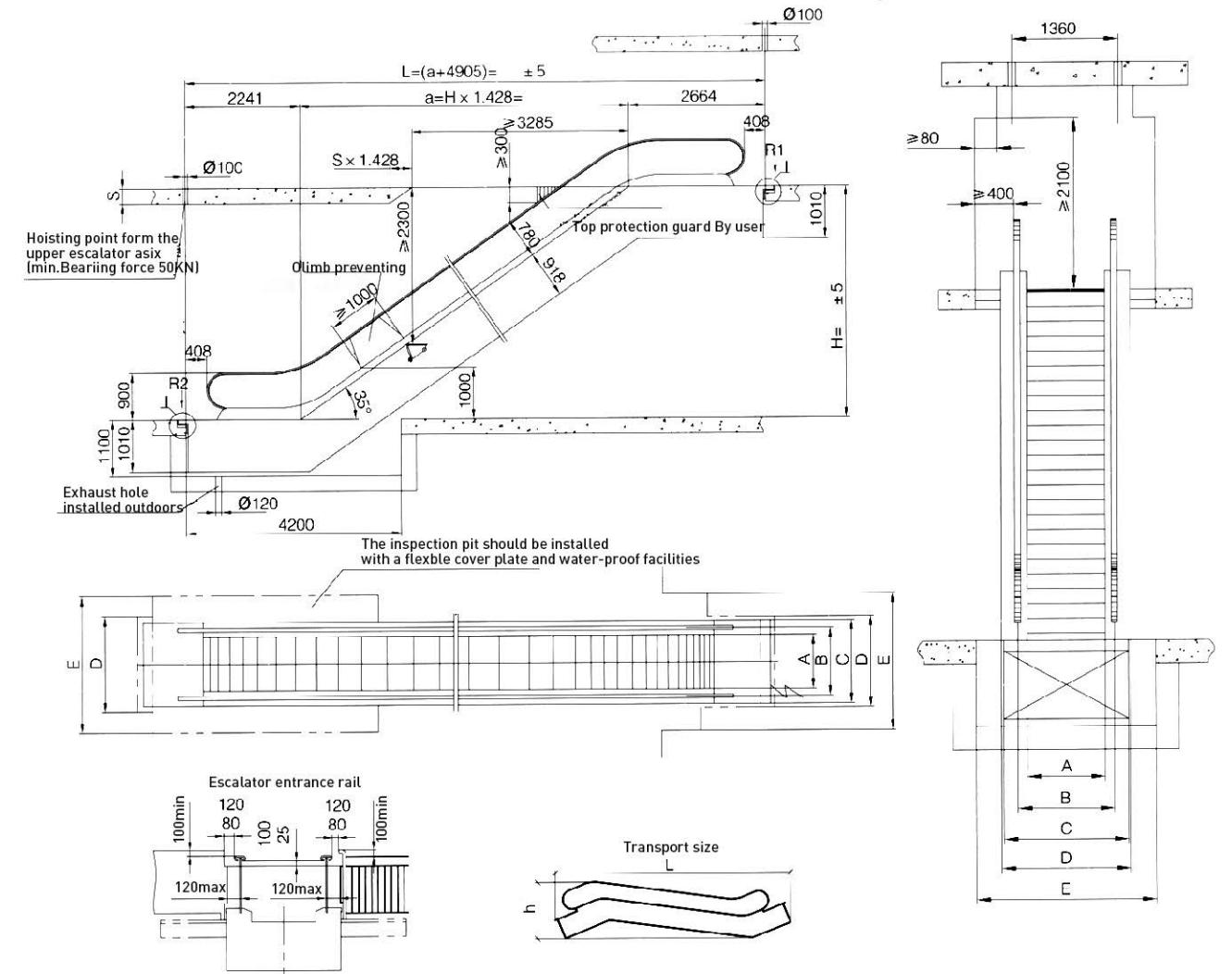
30° Escalator Construction Parameter



Model	Travelling height(mm)	Net weight KN	Supporting		Motor power	Transport size	
			R1 KN	R2 KN		H	L
SEM(600)-30 (4500 Per./h) speed 0.5m/s	3000	57	46	41	8	2750	10900
	3500	60	49	44		2780	11890
	4000	64	52	47		2810	12880
	4500	68	56	50		2830	13870
	5000	71	59	53		2840	14860
	5500	75	62	56		2860	15860
SEM(800)-30 (6750 Per./h) speed 0.5m/s	3000	59	52	47	8	2750	10900
	3500	63	56	50		2780	11890
	4000	67	60	54		2810	12880
	4500	71	64	57	11	2830	13870
	5000	74	68	60		2840	14860
	5500	82	74	66		2860	15860
SEM(1000)-30 (9000 Per./h) speed 0.5m/s	3000	86	78	69	8	2870	16860
	3500	63	59	53		2750	10900
	4000	67	64	57		2780	11890
	4500	71	68	61	11	2810	12880
	5000	75	73	65		2830	13870
	5500	83	79	71		2840	14860
6000	87	84	75	11	2860	15860	
6000	92	88	79		2870	16860	

Step width	A	B	C	D	E	F
1000	1000	1158	1238	1600	1660	2310
800	800	958	1038	1400	1460	2110
600	600	758	838	1200	1260	1910

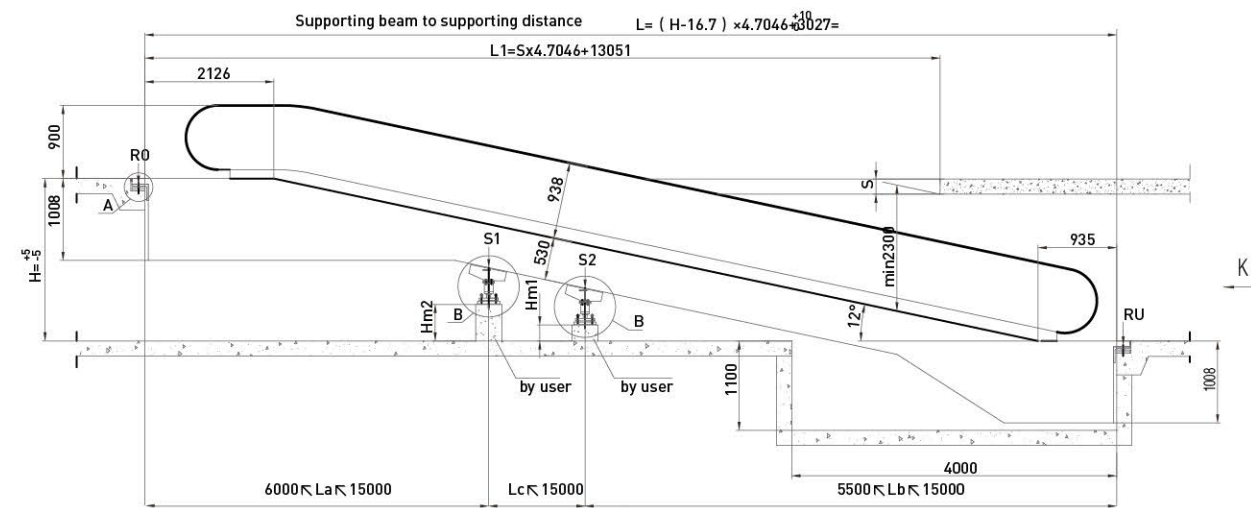
35° Escalator Construction Parameter



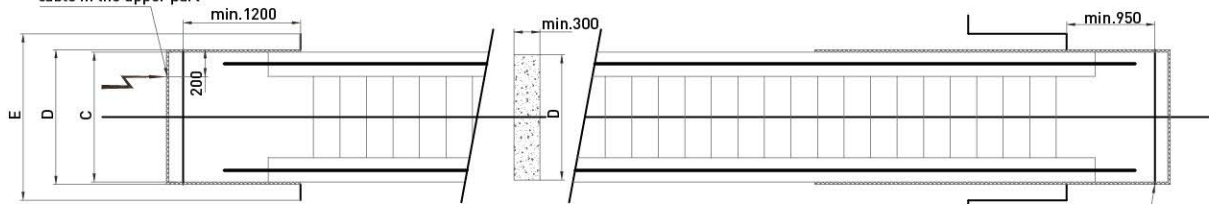
Model	Travelling height(mm)	Net weight KN	Supporting		Motor power	Transport size	
			R1 KN	R2 KN		H	L
SEM(600)-35 (4500 Per./h) speed 0.5m/s	3000	54	43	39	8	2850	10180
	3500	57	46	41		2890	11030
	4000	60	59	44		2920	11890
	4500	64	52	46		2940	12750
	5000	67	54	49		2970	13610
	5500	70	57	51		2980	14470
SEM(800)-35 (6750 Per./h) speed 0.5m/s	3000	73	60	54	8	3000	15330
	3500	56	49	44		2850	10180
	3500	60	52	47		2890	11030
	4000	63	56	50	11	2920	11890
	4500	66	59	53		2940	12750
	5000	70	62	56		2970	13610
SEM(1000)-35 (9000 Per./h) speed 0.5m/s	5500	73	65	59	8	2980	14470
	6000	76	69	61		3000	15330
	3000	60	56	50		2850	10180
	3500	64	60	53	11	2890	11030
	4000	67	64	57		2920	11890
	4500	71	67	60		2940	12750
5000	74	71	64	11	2970	13610	
5500	82	77	69		2980	14470	
6000	85	81	72	3000	15330		

Step width	A	B	C	D	E	F
1000	1000	1158	1238	1600	1660	2310
800	800	958	1038	1400	1460	2110
600	600	758	838	1200	1260	1910

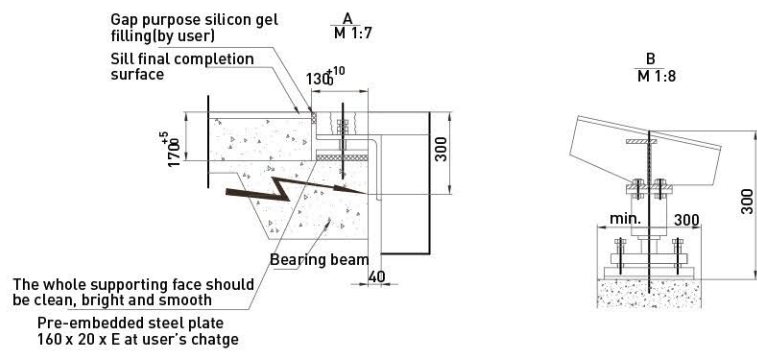
12° Moving walk Construction Parameter



It supplies the dynamic force and lighting cable in the upper part



It should fill or cover the gap between the machine and the construction. The user should take care of the standard which is applicable for the well width

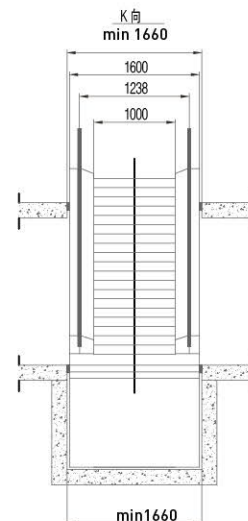


The whole supporting face should be clean, bright and smooth

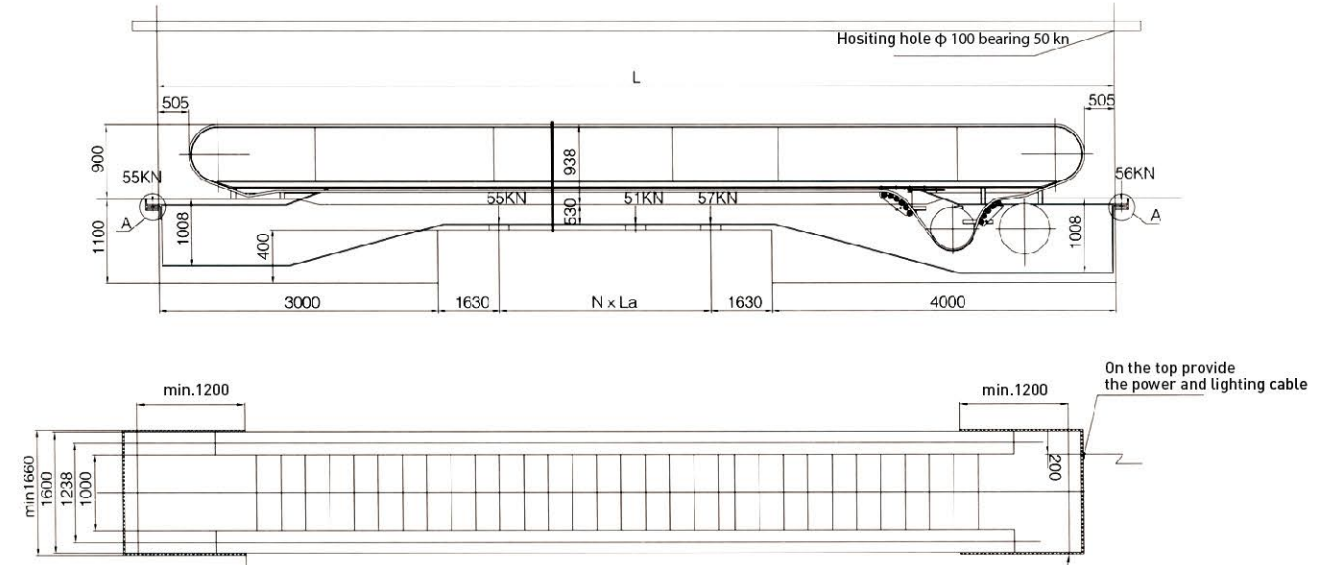
Pre-embedded steel plate 160 x 20 x E at user's charge

The construction supporting force includes the vibration load

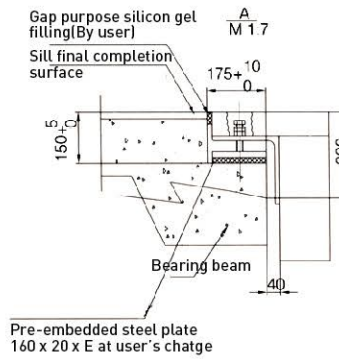
No intermediate supporting		One intermediate supporting		Two intermediate supporting	
$R_0=0.0045XL+13$		$R_0=0.0045XL+13$		$R_0=0.0045XL+13$	
$R_U=0.0045XLb+7$		$R_U=0.0045XLb+7$		$R_U=0.0045XLb+7$	
$R_U=0.0045XL+7$		$S1=0.00585X(La+Lb)$		$S1=0.00585X(La+Lc)$ $S2=0.00585X(Lb+Lc)$	
Travelling height	Intermediate supporting	La (mm)	Lb (mm)	Lc (mm)	Intermediate supporting height
From To	S1 S2				
1601 2663	- -	-	-	-	Hm1 0.2126xLb-1051
2664 4151	1 -	L-7000	7000	-	
4152 5851	1 -	15000	L-15000	-	
5852 6000	1 1	15000	7000	L-22000	Hm2 0.2126x(Lb+Lc)-1066



0° Moving walk Construction Parameter



On the top provide the power and lighting cable



It should fill or cover the gap between the machine and the construction. The user should take care of the standard which is applicable for the well width

Model	Travelling height(mm)	Rated speed	Rated load capacity	Inclination	Motor power	A(mm)	B(mm)	C(mm)	D(mm)
SMEH (800/0°)	80000	0.5	6750	0	5.5	800	1038	1400	≥ 1460
	80000 < L ≤ 130000				8				
	130000 < L ≤ 150000				11				
SMEH (1000/0°)	70000	0.5	9000	0	5.5	1000	1238	1600	≥ 1660
	70000 < L ≤ 110000				8				
	110000 < L ≤ 150000				11				